



# Fireplace Products

## Suggested Retail Price List

Effective March 1, 2003

---



---

*Surround Yourself With Comfort*

---

## Table of Contents

<b>Chimenea</b> Vent-Free Indoor Chimenea CHR-VF, CHG-VF and Outdoor Chimenea CHR, CHG .....	3
<b>The Vintage — Cast Iron Stoves</b> Vent-Free with Glaze Burner System VFCM-25, VFCT-25, VFCR-25 .....	4
<b>Floor Pads for Cast Iron Stoves</b> .....	5
<b>The Classic — Cast Iron Stoves</b> Vent-Free / Direct-Vent / B-Vent CIVF-25, CIDV-30, CIBV-30 .....	6
<b>The Flagstaff Series — Fireplace Insert &amp; Freestanding Stove</b> .....	7
Fireplace Insert (Vent-Free / Direct-Vent) BWVF-30, BWDV-40	
Freestanding Stove (Vent-Free / Direct-Vent / B-Vent) BWVF-30, BWDV-40, BWBV-40	
<b>The White Mountain Hearth Log Collection — Vented/Vent-Free Gas Logs ship with burner</b> .....	8
Ceramic Fiber Split Oak VFYM-16/18/24/30SO, VFYR-16/18/24/30SO	
Refractory Weathered Oak VFYM-16/18/24/30RWO, VFYR-16/18/24/30RWO	
<b>The White Mountain Hearth Slope Glaze Burner (Log Sets Sold Separately)</b> .....	9
Vented Slope Glaze Burner VSM-18/24/30, VSR-18/24/30	
Vented/Vent-Free Slope Glaze Burner VFSR-16/18/24/30, VFSV-16/18/24/30	
<b>The White Mountain Hearth Log Sets (Burners Sold Separately)</b> .....	10-11
<i>Ceramic Fiber</i>	
Charred Oak LS-16/18/24/30C      Birch LS-18/24/30B      Deepwoods Oak LS-18/24/30DO	
<i>Refractory</i>	
Aged Oak LS-18/24/30RAO      Sassafras LS-18/24/30RS	
<i>Flame Art</i>	
Summer Sand LS-18/24/30FAS      Ocean Breeze LS-18/24/30FAO      Coral Jewel LS-18/24/30FAC	
<b>The Breckenridge Series — Deluxe Vent-Free Fireboxes</b>	
32" VFFD-32, VFFD-32L .....	12
36" VFFD-36, VFFD-36L .....	14
42" VFFD-42, VFFD-42L .....	16
<b>The Breckenridge Series — Premium Vent-Free Fireboxes</b>	
32" VFFP-32, VFFP-32L .....	13
36" VFFP-36, VFFP-36L .....	15
42" VFFP-42, VFFP-42L .....	17
<b>The Taos Series — Vent-Free Gas Fireplace</b> .....	18
Taos Mini VFBL-30      Taos Maxi VFBH-30	
<b>The Vail Series — Vent-Free Gas Fireplace Systems</b> .....	19
Vail 20 (Slope Glaze Burner System) VFHS-20/10T, VFHS-20R	
<b>The Vail Series — Vent-Free Gas Fireplace Systems</b> .....	20
Vail 32 (Slope Glaze Burner System) VFHD-32(T, TV) VFHD-32(R, RV)	
<b>The Vail Series — Vent-Free Gas Fireplaces Systems</b> .....	21
Vail 36 (Slope Glaze Burner System) VFHD-36(T, TV) VFHD-36(R, RV)	
<b>The Tahoe Series — Direct-Vent Gas Fireplaces</b> .....	22-23
Decorative & Heater Rated Models (30", 36" & 42" with Slope Glaze Burner System) DVS-30, DVS-36, DVS-42	
<b>Venting Accessories</b> Direct-Vent Units Only (Simpson Dura-Vent) .....	24
<b>Deluxe Flush-Mount Mantel</b> .....	25
<b>Universal 32" Mantels (Full, Flush &amp; Corner)</b> .....	26-27
<b>Universal 36" Mantels (Full, Flush &amp; Corner)</b> .....	28-29
<b>Universal 42" Mantels (Full &amp; Flush)</b> .....	30-31
<b>Live Burn Program</b> .....	32
<b>Live Burn Affidavit</b> .....	33
<b>Co-operative Advertising Program</b> .....	34
<b>Advertising Claim Form</b> .....	35

# Vent-Free Chimenea

(For Indoor Use Only)

Specify LP Or Natural Gas



## Grapeleaf Design Indoor/Vent-Free

Model Number	Input Btu	Venting	Temperature Control	Ignition System	Approximate Shipping Wt.	List Price
<b>Chimenea Burner (Requires Casting)</b>						
<b>CHBR-16</b>	20,000	Vent-Free	On/Off Millivolt	Standing Pilot/Piezo	25 lb.	\$529.00
Model Number	Color				Approximate Shipping Wt.	List Price
<b>Chimenea Casting (Requires Burner)</b>						
<b>CHR-VF</b>	Terra Cotta Red				203 lb.	\$326.00
<b>CHG-VF</b>	Antique Green				203 lb.	326.00

## ACCESSORIES

Accessory Number	Description	Approximate Shipping Wt.	List Price
GWSG-T	Wall Thermostat, Millivolt	2 lb.	\$ 32.00
<b>TMV</b>	<b>Wall Thermostat, Millivolt - Reed Switch</b>	<b>2 lb.</b>	<b>19.00</b>
FRBC	Battery Operated Remote Control	1 lb.	102.00
FRBTC	Battery Operated Remote Control with Thermostat	1 lb.	188.00
FREC	Electric Remote Control	1 lb.	76.00
FWS-1	Wall Switch	1 lb.	15.00

# Chimenea

(For Outdoor Use Only)

Ships as LP Gas Only



## Grapeleaf Design

Model Number	Color	Input Btu	Temperature Control	Ignition System	Approximate Shipping Wt.	List Price
<b>CHR</b>	Terra Cotta Red	32,000 LP	Manual, 3 Heat Settings	Piezo	130 lb.	\$598.00
<b>CHG</b>	Antique Green	32,000 LP	Manual, 3 Heat Settings	Piezo	130 lb.	598.00

## ACCESSORIES

Accessory Number	Description	Approximate Shipping Wt.	List Price
<b>NG-12</b>	Quick-disconnect hose kit 12 foot	2 lb.	\$52.00
CHKT-1	Tank Cover for 20 lb. Cylinder	2 lb.	28.00
CHKN-1	Natural Gas Conversion Kit	2 lb.	12.50

# The Vintage

Specify LP Or Natural Gas



## Vintage Cast Iron Stoves Vent-Free (With Glaze Burner System)

Model Number	Input Btu	Venting	Temperature Control	Ignition System	Approximate Shipping Wt.	List Price
<b>Vent-Free Logs for VFCI-FB Casting</b>					<i>VFCM-25 available in LP Only</i>	
<b>VFCM-25</b>	25,000	Vent-Free	Manual, 3 Heat Settings	Standing Pilot/Piezo	41 lb.	\$ 200.00
<b>VFCT-25</b>	25,000	Vent-Free	Modulating Hydraulic Thermostat	Standing Pilot/Piezo	42 lb.	451.00
<b>VFCR-25</b>	25,000	Vent-Free	On/Off Millivolt	Standing Pilot/Piezo	42 lb.	503.00

Model Number	Color	Approximate Shipping Wt.	List Price
<b>Stove Casting (Requires VFCM-25, VFCT-25 or VFCR-25)</b>			
<b>VFCI-FB</b>	Flat Black	120 lb.	\$445.00

### FIREBOX ACCESSORIES

Accessory Number	Description	Approximate Shipping Wt.	List Price
GWSG-T	Wall Thermostat, Millivolt	2 lb.	\$ 32.00
<b>TMV</b>	<b>Wall Thermostat, Millivolt - Reed Switch</b>	<b>2 lb.</b>	<b>19.00</b>
FRBC	Battery Operated Remote Control	1 lb.	102.00
FRBTC	Battery Operated Remote Control with Thermostat	1 lb.	188.00
FREC	Electric Remote Control	1 lb.	76.00
FWS-1	Wall Switch	1 lb.	15.00

FOR USE  
WITH  
VFCR  
MODELS  
ONLY

Aerosol paint (in a variety of colors) available through the Parts Department

# Floor Pads for Cast Iron Stoves

## For All Cast Iron & Freestanding Stoves

### CASTING ACCESSORIES

Accessory Number	Color	Approximate Shipping Wt.	List Price
<b>TRADITIONAL FLOOR PAD KIT (Requires a Stone Inlay Kit)</b>			
CIFPB-1	Traditional Floor Pad Base for Stone Inlays	10 lb.	\$ 89.00
<b>Stone Inlay Kit for Traditional Floor Pad (Requires CIFPB-1)</b>			
CIFS-2G	Empress Green (Dark Green Marble)	45 lb.	220.50
CIFS-3J	Hunan Jade (White w/Green Vein Marble)	45 lb.	220.50
CIFS-4B	Gray Botticino (Gray/Cream Marble)	45 lb.	220.50
CIFS-5A	Azul (Black/Gray/Blue Granite)	45 lb.	220.50
CIFS-6S	Salome (Reddish Gray Marble)	45 lb.	220.50
CIFS-7E	Black Swan (Ebony Polished Stone)	45 lb.	220.50
<b>CORNER FLOOR PAD KIT (Requires a Stone Inlay Kit)</b>			
CIFPB-1C	Corner Floor Pad Base for Stone Inlays	13 lb.	124.00
<b>Stone Inlay Kit for Floor Pad (Requires CIFPB-1C)</b>			
CIFS-2GC	Empress Green (Dark Green Marble)	65 lb.	277.50
CIFS-3JC	Hunan Jade (White w/Green Vein Marble)	65 lb.	277.50
CIFS-4BC	Gray Botticino (Gray/Cream Marble)	65 lb.	277.50
CIFS-5AC	Azul (Black/Gray/Blue Granite)	65 lb.	277.50
CIFS-6SC	Salome (Reddish Gray Marble)	65 lb.	277.50
CIFS-7EC	Black Swan (Ebony Polished Stone)	65 lb.	277.50



Flat Wall



Corner Wall

Accessory Number	Description	Approximate Shipping Wt.	List Price
<b>FLOOR PADS</b>			
<b>Flat Wall Floor Pad — Medium Oak (Requires a Stone Inlay Kit)</b>			
<i>EPF-1</i>	<i>Floor Pad 37 x 30 x 4 1/2</i>	<i>35 lb.</i>	<i>\$130.00</i>
<b>Stone Inlay Kit for Flat Wall Floor Pad (Requires EPF-1)</b>			
<i>ESF-R</i>	<i>Rose</i>	<i>41 lb.</i>	<i>155.00</i>
<i>ESF-G</i>	<i>Gray</i>	<i>41 lb.</i>	<i>155.00</i>
<i>ESF-B</i>	<i>Black</i>	<i>41 lb.</i>	<i>155.00</i>
<b>Corner Wall Floor Pad — Medium Oak (Requires a Stone Inlay Kit)</b>			
<i>EPC-1</i>	<i>Floor Pad 37 x 42 3/4 x 4 1/2</i>	<i>37 lb.</i>	<i>160.00</i>
<b>Stone Inlay Kit for Flat Wall Floor Pad (Requires EPC-1)</b>			
<i>ESC-R</i>	<i>Rose</i>	<i>51 lb.</i>	<i>175.00</i>
<i>ESC-G</i>	<i>Gray</i>	<i>51 lb.</i>	<i>175.00</i>
<i>ESC-B</i>	<i>Black</i>	<i>51 bs.</i>	<i>175.00</i>
<b>Wall Oak Tongue &amp; Groove</b>			
FWTG	Floor Pad 37 x 30 x 4 1/2	45 lb.	277.00
<b>Corner Oak Tongue &amp; Groove</b>			
CWTG	Floor Pad 37 x 42 3/4 x 4 1/2	45 lb.	350.00

# The Classic

Specify LP Or Natural Gas



## Classic Cast Iron Stoves Vent-Free / Direct-Vent / B-Vent

Model Number	Input Btu	Venting	Temperature Control	Ignition System	Approximate Shipping Wt.	List Price
<b>Firebox (Requires a Stove Casting)</b>						
<b>CIVF-25</b>	25,000	Vent-Free	On/Off Millivolt	Standing Pilot/Piezo	64 lb.	\$615.00
<b>CIDV-30</b>	30,000	Direct-Vent	On/Off Millivolt	Standing Pilot/Piezo	91 lb.	935.00
<b>CIBV-30</b>	30,000	B-Vent	On/Off Millivolt	Standing Pilot/Piezo	87 lb.	924.00

Model Number	Color	Approximate Shipping Wt.	List Price
<b>Stove Casting (Requires a Firebox)</b>			
<b>CIFB-1</b>	Flat Black	126 lb.	\$418.00
<b>CIPB-1</b>	Porcelain Black	126 lb.	618.00
<b>CIPG-1</b>	Porcelain Green	126 lb.	618.00
<b>CIPS-1</b>	Porcelain Sand	126 lb.	618.00
<b>CIPN-1</b>	Porcelain Navy	126 lb.	618.00
<b>CIPR-1</b>	Porcelain Red	126 lb.	618.00

Enamel paint for touch-up (Included with casting)  
Aerosol enamel paint (Specify color)  
Aerosol Flat Black

AVAILABLE  
THROUGH THE  
PARTS DEPARTMENT

### FIREBOX ACCESSORIES

Accessory Number	Description	Recommended For Use With	Approximate Shipping Wt.	List Price
CIB-2	Automatic Blower	All Models	3 lb.	\$129.00
DVKH-1	Direct-Vent Kit for Horizontal Run (Includes adapter, SD-904B, SD-911B, SD-940, SD-942, SD-985, SD-990B) See Venting Accessories, for descriptions, on Page 24	CIDV-30	20 lb.	331.50
DVKV-1	Direct-Vent Kit for Vertical Run (Includes adapter, (2) SD-902B, SD-940, SD-943, SD-953, SD-963, SD-991)	CIDV-30	31 lb.	320.00
DVKA-1	Direct-Vent Kit Adapter	CIDV-30	4 lb.	55.50

### Control Options

GWSG-T	Wall Thermostat, Millivolt	All Models	2 lb.	32.00
<b>TMV</b>	<b>Wall Thermostat, Millivolt - Reed Switch</b>	<b>All Models</b>	<b>2 lb.</b>	<b>19.00</b>
FRBC	Battery Operated Remote Control	All Models	1 lb.	102.00
FRBTC	Battery Operated Remote Control with Thermostat	All Models	1 lb.	188.00
FREC	Electric Remote Control	All Models	1 lb.	76.00
FWS-1	Wall Switch	All Models	1 lb.	15.00

### STONE INLAYS FOR CLASSIC CAST IRON (Replaces Standard Grille Top)

Accessory Number	Color	Approximate Shipping Wt.	List Price
CII-1	Slate Gray Porcelain	14 lb.	\$90.00
CII-2	Empress Green (Dark Green Marble)	14 lb.	119.50
CII-3	Hunan Jade (White w/Green Vein Marble)	14 lb.	119.50
CII-4	Gray Botticino (Gray/Cream Marble)	14 lb.	119.50
CII-5	Azul (Black/Gray/Blue Granite)	14 lb.	119.50
CII-6	Salome (Reddish Gray Marble)	14 lb.	119.50
CII-7	Black Swan (Ebony Polished Stone)	14 lb.	119.50

Stone Inlays not available on Vintage Vent-Free Models

See Page 5 for Floor Pads

**See Page 24 for Venting Accessories**

# The Flagstaff Series

Specify LP Or Natural Gas

Shown  
installed in a  
masonry fireplace



## Flagstaff Fireplace Insert (Vent-Free / Direct-Vent)

Model Number	Input Btu	Venting	Temperature Control	Ignition System	Approximate Shipping Wt.	List Price
<b>Insert Firebox (Requires an Installation Kit)</b>						
<b>BWVF-30</b>	32,000	Vent-Free	On/Off Millivolt	Standing Pilot/Piezo	75 lb.	\$ 747.00
<b>BWDV-40</b>	38,000	Direct-Vent	On/Off Millivolt	Standing Pilot/Piezo	95 lb.	1,294.00
<b>BWBV-40 cannot be used as a fireplace insert</b>						
<b>Insert Installation Kit (Requires a Firebox)</b>						
<b>BWIS-1</b>	Installation Kit (Surround to enclose fireplace)				47 lb.	349.00
<b>Accessory</b>					Approximate	List
Number	Description				Shipping Wt.	Price
DVKI-1	Co-Linear Direct-Vent Kit for BWDV-40 (Includes 10884 Co-Linear Adapter, SD-923GK, SD-2280, SD-991)				23 lb.	\$335.00
BWIB-1	Insert Blower Kit				2 lb.	153.00
<b>Stone Kits for Insert Surround &amp; Cast Top</b>						
SKI-EG	Empress Green (Dark Green Marble)				40 lb.	155.00
SKI-HJ	Hunan Jade (White w/Green Vein Marble)				40 lb.	155.00
SKI-GB	Gray Botticino (Gray/Cream Marble)				40 lb.	155.00
SKI-AZ	Azul (Black/Gray/Blue Granite)				40 lb.	155.00
SKI-SA	Salome (Reddish Gray Marble)				40 lb.	155.00
SKI-BS	Black Swan (Ebony Polished Stone)				40 lb.	155.00



## Flagstaff Freestanding Stove (Vent-Free / Direct-Vent / B-Vent)

Model Number	Input Btu	Venting	Temperature Control	Ignition System	Approximate Shipping Wt.	List Price
<b>Freestanding Firebox (Requires a Pedestal Kit)</b>						
<b>BWVF-30</b>	32,000	Vent-Free	On/Off Millivolt	Standing Pilot/Piezo	75 lb.	\$ 747.00
<b>BWDV-40</b>	38,000	Direct-Vent	On/Off Millivolt	Standing Pilot/Piezo	95 lb.	1,294.00
<b>BWBV-40</b>	38,000	B-Vent	On/Off Millivolt	Standing Pilot/Piezo	95 lb.	1,275.00
<b>BWBV-40 cannot be used as a fireplace insert</b>						
<b>Freestanding Pedestal (Requires a Firebox)</b>						
<b>BWFK-1</b>	Freestanding Pedestal Kit				50 lb.	255.00
<b>Accessory</b>					Approximate	List
Number	Description				Shipping Wt.	Price
DVKH-1	Direct-Vent Kit for Horizontal Run for BWDV-40 (Includes adapter, SD-904B, SD-911B, SD-940, SD-942, SD-985, SD-990B)				20 lb.	\$331.50
DVKV-1	Direct-Vent Kit for Vertical Run for BWDV-40 (Includes adapter, (2) SD-902B, SD-940, SD-943, SD-953, SD-963, SD-991)				31 lb.	320.00
DVKA-1	Direct-Vent Kit Adapter				4 lb.	55.50
BWFB-1	Freestanding Blower Kit				3 lb.	153.00
<b>Stone Kits for Stove Sides &amp; Cast Top</b>						
SKF-EG	Empress Green (Dark Green Marble)				35 lb.	155.00
SKF-HJ	Hunan Jade (White w/Green Vein Marble)				35 lb.	155.00
SKF-GB	Gray Botticino (Gray/Cream Marble)				35 lb.	155.00
SKF-AZ	Azul (Black/Gray/Blue Granite)				35 lb.	155.00
SKF-SA	Salome (Reddish Gray Marble)				35 lb.	155.00
SKF-BS	Black Swan (Ebony Polished Stone)				35 lb.	155.00
<b>Control Options for Inserts and Freestanding Stoves</b>						
GWSG-T	Wall Thermostat, Millivolt				2 lb.	\$ 32.00
<b>TMV</b>	<b>Wall Thermostat, Millivolt - Reed Switch</b>				<b>2 lb.</b>	<b>19.00</b>
FRBC	Battery Operated Remote Control				1 lb.	102.00
FRBTC	Battery Operated Remote Control with Thermostat				1 lb.	188.00
FREC	Electric Remote Control				1 lb.	76.00
FWS-1	Wall Switch				1 lb.	15.00

See Page 4 for Floor Pad Accessories

# The White Mountain Hearth Log Collection

Specify LP Or Natural Gas

**ALL LOGS ON THIS PAGE SHIP WITH BURNER**

## Vented/Vent-Free Gas Logs Ceramic Fiber Split Oak (Glaze Burner System)

VENT-FREE LOGS  
CONVERT TO  
VENTED LOGS BY  
OPENING FLUE DAMPER



Model Number	Input Btu	Description	Ignition System	Approximate Shipping Wt.	List Price
<b>VFYM-16SO</b>	25,000	Manual, 3 Heat Settings	Standing Pilot/Piezo	30 lb.	\$400.00
<b>VFYM-18SO</b>	32,000	Manual, 3 Heat Settings	Standing Pilot/Piezo	37 lb.	419.50
<b>VFYM-24SO</b>	36,000	Manual, 3 Heat Settings	Standing Pilot/Piezo	45 lb.	491.50
<b>VFYM-30SO</b>	38,000	Manual, 3 Heat Settings	Standing Pilot/Piezo	49 lb.	563.50
<b>VFYR-16SO</b>	25,000	On/Off Millivolt	Standing Pilot/Piezo	30 lb.	495.50
<b>VFYR-18SO</b>	32,000	On/Off Millivolt	Standing Pilot/Piezo	37 lb.	517.00
<b>VFYR-24SO</b>	36,000	On/Off Millivolt	Standing Pilot/Piezo	45 lb.	566.50
<b>VFYR-30SO</b>	38,000	On/Off Millivolt	Standing Pilot/Piezo	49 lb.	620.00

## Vented/Vent-Free Gas Logs Refractory Weathered Oak (Glaze Burner System)

VENT-FREE LOGS  
CONVERT TO  
VENTED LOGS BY  
OPENING FLUE DAMPER



Model Number	Input Btu	Description	Ignition System	Approximate Shipping Wt.	List Price
<b>VFYM-10RWO</b>	10,000	Manual, 3 Heat Settings 4-Log Set	Standing Pilot/Piezo	45 lb.	\$359.00
<b>VFYM-16RWO</b>	25,000	Manual, 3 Heat Settings 4-Log Set	Standing Pilot/Piezo	45 lb.	359.00
<b>VFYM-18RWO</b>	32,000	Manual, 3 Heat Settings 4-Log Set	Standing Pilot/Piezo	60 lb.	367.00
<b>VFYM-24RWO</b>	36,000	Manual, 3 Heat Settings 5-Log Set	Standing Pilot/Piezo	73 lb.	430.00
<b>VFYM-30RWO</b>	38,000	Manual, 3 Heat Settings 5-Log Set	Standing Pilot/Piezo	93 lb.	493.00
<b>VFYR-16RWO</b>	25,000	On/Off Millivolt 4-Log Set	Standing Pilot/Piezo	45 lb.	433.00
<b>VFYR-18RWO</b>	32,000	On/Off Millivolt 4-Log Set	Standing Pilot/Piezo	60 lb.	452.00
<b>VFYR-24RWO</b>	36,000	On/Off Millivolt 5-Log Set	Standing Pilot/Piezo	73 lb.	495.00
<b>VFYR-30RWO</b>	38,000	On/Off Millivolt 5-Log Set	Standing Pilot/Piezo	93 lb.	542.00

### ACCESSORIES FOR ALL VENTED/VENT-FREE LOGS

Accessory Number	Description	Color	Approximate Shipping Wt.	List Price
EK-1	Embers Kit		4 lb.	\$ 29.00
ELH-1	Adjustable Fireplace Hood (28" to 48")	Black	7 lb.	41.50
ELH-2	Adjustable Fireplace Hood (28" to 48")	Polished Brass	7 lb.	51.50

### Control Options

GWSG-T	Wall Thermostat, Millivolt		2 lb.	32.00
<b>TMV</b>	<b>Wall Thermostat, Millivolt - Reed Switch</b>		<b>2 lb.</b>	<b>19.00</b>
FRBC	Battery Operated Remote Control		1 lb.	102.00
FRBTC	Battery Operated Remote Control with Thermostat		1 lb.	188.00
FREC	Electric Remote Control		1 lb.	76.00
FWS-1	Wall Switch		1 lb.	15.00

FOR USE WITH "R" MODELS ONLY

Listed are suggested Empire fireboxes for our logs. For custom installations refer to Owner's Manual.

16SO, RWO logs fit a minimum 30" firebox  
24SO, RWO logs fit a minimum 36" firebox

18SO, RWO logs fit a minimum 32" firebox  
30SO, RWO logs fit a minimum 42" firebox

# The White Mountain Hearth

## Slope Glaze Burner

**(Log Sets Sold Separately - See pages 10 & 11)**

### Vented Slope Glaze Burner

**VENTED SYSTEMS  
FLUE DAMPER MUST BE OPENED**

Specify LP Or Natural Gas

Model Number	For Log Size	Input Btu	Description	Ignition System	Approximate Shipping Wt.	List Price
<b>Burners ship assembled at the higher Btu listed. Lower Btu orifice is in carton with burner.</b>						
<b>Vented Manual Control Burner (Requires a matching size LS log set. - See pages 10 &amp; 11)</b>						
VSM-18	18"	40,000/65,000	Manual	Standing Pilot/Match Light	26 lb.	\$327.00
VSM-24	24"	50,000/75,000	Manual	Standing Pilot/Match Light	30 lb.	341.00
VSM-30	30"	60,000/75,000	Manual	Standing Pilot/Match Light	33 lb.	351.00
<b>Vented Millivolt Control Burner (Requires a matching size LS log set. - See pages 10 &amp; 11)</b>						
VSR-18	18"	40,000/65,000	On-Off Millivolt	Standing Pilot/Match Light	25 lb.	391.00
VSR-24	24"	50,000/75,000	On-Off Millivolt	Standing Pilot/Match Light	29 lb.	405.00
VSR-30	30"	60,000/75,000	On-Off Millivolt	Standing Pilot/Match Light	32 lb.	415.00

#### ACCESSORIES FOR VENTED BURNERS

Accessory Number	Description	Approximate Shipping Wt.	List Price
EK-1	Embers Kit	4 lb.	\$ 29.00
<b>Control Options for use with "R" Models only</b>			
FRBC	Battery Operated Remote Control	1 lb.	102.00
FREC	Electric Remote Control	1 lb.	76.00
FWS-1	Wall Switch	1 lb.	15.00

### Vented/Vent-Free Slope Glaze Burner

**VENT-FREE SYSTEMS  
CONVERT TO VENTED SYSTEMS  
BY OPENING FLUE DAMPER**

Specify LP Or Natural Gas

Model Number	For Log Size	Input Btu	Description	Ignition System	Approximate Shipping Wt.	List Price
<b>Vented/Vent-Free Manual Control Burner (Requires a matching size LS log set. - See pages 10 &amp; 11)</b>						
VFSM-18	18"	32,000	Manual	Standing Pilot/Piezo	25 lb.	\$394.00
VFSM-24	24"	36,000	Manual	Standing Pilot/Piezo	29 lb.	424.00
VFSM-30	30"	38,000	Manual	Standing Pilot/Piezo	32 lb.	469.00
<b>Vented/Vent-Free Millivolt Control Burner (Requires a matching size LS log set. - See pages 10 &amp; 11)</b>						
VFSR-16	16"	25,000	On-Off Millivolt	Standing Pilot/Piezo	18 lb.	475.00
VFSR-18	18"	32,000	On-Off Millivolt	Standing Pilot/Piezo	25 lb.	486.00
VFSR-24	24"	36,000	On-Off Millivolt	Standing Pilot/Piezo	29 lb.	516.00
VFSR-30	30"	38,000	On-Off Millivolt	Standing Pilot/Piezo	32 lb.	561.00

#### Vented/Vent-Free Variable Flame Height Control Burner (Requires a matching size LS log set. - See pages 10 & 11)

VFSV-16	16"	25,000	Variable Remote	Standing Pilot/Piezo	18 lb.	599.00
VFSV-18	18"	32,000	Variable Remote	Standing Pilot/Piezo	25 lb.	640.00
VFSV-24	24"	36,000	Variable Remote	Standing Pilot/Piezo	29 lb.	670.00
VFSV-30	30"	38,000	Variable Remote	Standing Pilot/Piezo	32 lb.	715.00

VFSV Models come with Variable Flame Height Remote Control

#### ACCESSORIES FOR VENTED/VENT-FREE BURNERS

Accessory Number	Description	Color	Approximate Shipping Wt.	List Price
EK-1	Embers Kit		4 lb.	\$ 29.00
ELH-1	Adjustable Fireplace Hood (28" to 48")	Black	7 lb.	41.50
ELH-2	Adjustable Fireplace Hood (28" to 48")	Polished Brass	7 lb.	51.50
<b>Control Options for use with "R" Models only</b>				
GWSG-T	Wall Thermostat, Millivolt		2 lb.	32.00
TMV	Wall Thermostat, Millivolt - Reed Switch		2 lb.	19.00
FRBC	Battery Operated Remote Control		1 lb.	102.00
FRBTC	Battery Operated Remote Control with Thermostat		1 lb.	188.00
FREC	Electric Remote Control		1 lb.	76.00
FWS-1	Wall Switch		1 lb.	15.00

# The White Mountain Hearth Log Sets

*(Burners Sold Separately - See page 9)*

## Ceramic Fiber Charred Oak Logs

(For use with VENTED or VENTED/VENT-FREE Slope Glaze Burners)



Model Number	For Burner Size	Empire Minimum Firebox Size	Description	Shipping Wt.	List Price
<b>Log Sets (Require a matching size Vented or Vented/Vent-Free Burner - See page 9)</b>					
<i>LS-16C</i>	<i>16"</i>	<i>32"</i>	<i>5-Piece Set</i>	<i>7 lb.</i>	<i>\$ 70.00</i>
<i>LS-18C</i>	<i>18"</i>	<i>32"</i>	<i>5-Piece Set</i>	<i>9 lb.</i>	<i>81.00</i>
<i>LS-24C</i>	<i>24"</i>	<i>32"</i>	<i>5-Piece Set</i>	<i>11 lb.</i>	<i>92.00</i>
<i>LS-30C</i>	<i>30"</i>	<i>36"</i>	<i>5-Piece Set</i>	<i>12 lb.</i>	<i>107.00</i>

## Ceramic Fiber Birch Logs

(For use with VENTED or VENTED/VENT-FREE Slope Glaze Burners)



Model Number	For Burner Size	Empire Minimum Firebox Size	Description	Shipping Wt.	List Price
<b>Log Sets (Require a matching size Vented or Vented/Vent-Free Burner - See page 9)</b>					
<i>LS-18B</i>	<i>18"</i>	<i>32"</i>	<i>5-Piece Set</i>	<i>9 lb.</i>	<i>\$ 81.00</i>
<i>LS-24B</i>	<i>24"</i>	<i>32"</i>	<i>5-Piece Set</i>	<i>11 lb.</i>	<i>92.00</i>
<i>LS-30B</i>	<i>30"</i>	<i>36"</i>	<i>5-Piece Set</i>	<i>12 lb.</i>	<i>107.00</i>

## Ceramic Fiber Deepwoods Oak logs

(For use with VENTED or VENTED/VENT-FREE Slope Glaze Burners)



Model Number	For Burner Size	Empire Minimum Firebox Size	Description	Shipping Wt.	List Price
<b>Log Sets (Require a matching size Vented or Vented/Vent-Free Burner - See page 9)</b>					
<i>LS-18DO</i>	<i>18"</i>	<i>32"</i>	<i>2-Piece Set</i>	<i>10 lb.</i>	<i>\$ 68.00</i>
<i>LS-24DO</i>	<i>24"</i>	<i>32"</i>	<i>2-Piece Set</i>	<i>12 lb.</i>	<i>77.00</i>
<i>LS-30DO</i>	<i>30"</i>	<i>36"</i>	<i>2-Piece Set</i>	<i>14 lb.</i>	<i>89.00</i>

# The White Mountain Hearth Log Sets

*(Burners Sold Separately - See page 9)*

## Refractory Aged Oak Logs

(For use with VENTED or VENTED/VENT-FREE Slope Glaze Burners)



Model Number	For Burner Size	Empire Minimum Firebox Size	Description	Shipping Wt.	List Price
<b>Log Sets (Require a matching size Vented or Vented/Vent-Free Burner - See page 9)</b>					
<i>LS-18RAO</i>	<i>18"</i>	<i>32"</i>	<i>7-Piece Set</i>	<i>36 lb.</i>	<i>\$ 90.00</i>
<i>LS-24RAO</i>	<i>24"</i>	<i>36"</i>	<i>7-Piece Set</i>	<i>44 lb.</i>	<i>113.00</i>
<i>LS-30RAO</i>	<i>30"</i>	<i>42"</i>	<i>7-Piece Set</i>	<i>61 lb.</i>	<i>123.00</i>

## Refractory Sassafras Logs

(For use with VENTED or VENTED/VENT-FREE Slope Glaze Burners)



Model Number	For Burner Size	Empire Minimum Firebox Size	Description	Shipping Wt.	List Price
<b>Log Sets (Require a matching size Vented or Vented/Vent-Free Burner - See page 9)</b>					
<i>LS-18RS</i>	<i>18"</i>	<i>32"</i>	<i>6-Piece Set</i>	<i>40 lb.</i>	<i>\$ 98.00</i>
<i>LS-24RS</i>	<i>24"</i>	<i>36"</i>	<i>6-Piece Set</i>	<i>48 lb.</i>	<i>120.00</i>
<i>LS-30RS</i>	<i>30"</i>	<i>42"</i>	<i>6-Piece Set</i>	<i>63 lb.</i>	<i>137.00</i>

## Flame Art Designer Logs

(For use with VENTED or VENTED/VENT-FREE Slope Glaze Burners)



Model Number	For Burner Size	Empire Minimum Firebox Size	Description	Shipping Wt.	List Price
<b>Summer Sand Flame Art Log Sets (Require a matching size Vented or Vented/Vent-Free Burner - See page 9)</b>					
<i>LS-18FAS</i>	<i>18"</i>	<i>32"</i>	<i>5-Piece Set</i>	<i>7 lb.</i>	<i>\$106.00</i>
<i>LS-24FAS</i>	<i>24"</i>	<i>36"</i>	<i>5-Piece Set</i>	<i>10 lb.</i>	<i>124.00</i>
<i>LS-30FAS</i>	<i>30"</i>	<i>42"</i>	<i>5-Piece Set</i>	<i>12 lb.</i>	<i>141.00</i>
<b>Ocean Breeze Flame Art Log Sets (Require a matching size Vented or Vented/Vent-Free Burner - See page 9)</b>					
<i>LS-18FAO</i>	<i>18"</i>	<i>32"</i>	<i>5-Piece Set</i>	<i>7 lb.</i>	<i>106.00</i>
<i>LS-24FAO</i>	<i>24"</i>	<i>36"</i>	<i>5-Piece Set</i>	<i>10 lb.</i>	<i>124.00</i>
<i>LS-30FAO</i>	<i>30"</i>	<i>42"</i>	<i>5-Piece Set</i>	<i>12 lb.</i>	<i>141.00</i>
<b>Coral Jewel Flame Art Log Sets (Require a matching size Vented or Vented/Vent-Free Burner - See page 9)</b>					
<i>LS-18FAC</i>	<i>18"</i>	<i>32"</i>	<i>5-Piece Set</i>	<i>7 lb.</i>	<i>106.00</i>
<i>LS-24FAC</i>	<i>24"</i>	<i>36"</i>	<i>5-Piece Set</i>	<i>10 lb.</i>	<i>124.00</i>
<i>LS-30FAC</i>	<i>30"</i>	<i>42"</i>	<i>5-Piece Set</i>	<i>12 lb.</i>	<i>141.00</i>

# Breckenridge Series

(Mantels - See **SHORT MANTELS** page 26-27)



## Deluxe Vent-Free Firebox 32"

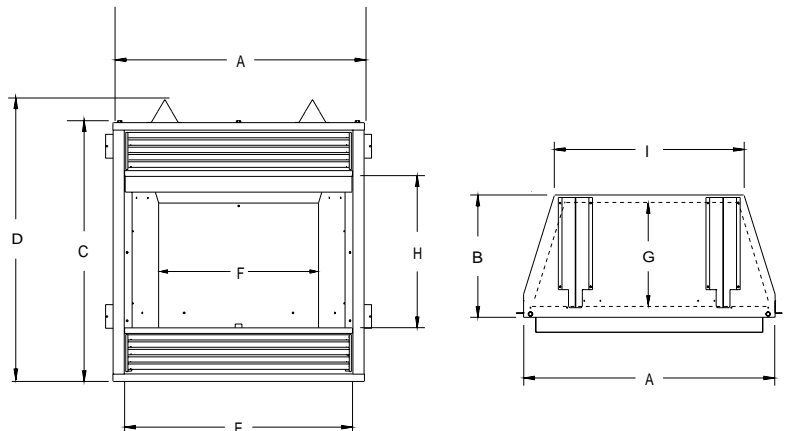
Model Number	Description	Approximate Shipping Wt.	List Price
<b>VFFD-32</b>	<b>Deluxe Universal 32" Firebox</b>	<b>65 lb.</b>	<b>\$285.00</b>
<b>VFFD-32L</b>	<b>Deluxe Universal 32" Firebox with Refractory Liner Installed</b>	<b>80 lb.</b>	<b>335.00</b>

Junction Box included with firebox.

### FIREBOX ACCESSORIES

Accessory Number	Description	Approximate Shipping Wt.	List Price
<b>Blowers</b>			
<b>FBB2A</b>	<b>Single-Speed Blower</b>	<b>8 lb.</b>	<b>\$135.00</b>
<b>FBB3A</b>	<b>Variable-Speed Automatic Blower</b>	<b>15 lb.</b>	<b>185.00</b>
<b>VBD2A-32</b>	<b>Lower Louver Pivot Conversion (for easy access with use of FBB3A blower)</b>	<b>5 lb.</b>	<b>36.00</b>
<b>Liners for VFFD-32 Model only</b>			
<b>VFP2A-32SSA</b>	<b>Ceramic Aged Brick Liner</b>	<b>7 lb.</b>	<b>69.00</b>
<b>Hoods Standard</b>			
<b>VF2H2A-32BR</b>	<b>Polished Brass Hood</b>	<b>6 lb.</b>	<b>24.50</b>
<b>VF2H2A-32BP</b>	<b>High Gloss Black Hood</b>	<b>6 lb.</b>	<b>42.00</b>
<b>VF2H2A-32SS</b>	<b>Brushed Stainless Steel Hood</b>	<b>7 lb.</b>	<b>24.50</b>
<b>Hoods Extended</b>			
<b>VF4H2A-32BL</b>	<b>Flat Black Hood</b>	<b>7 lb.</b>	<b>22.00</b>
<b>VF4H2A-32BR</b>	<b>Polished Brass Hood</b>	<b>7 lb.</b>	<b>29.00</b>
<b>VF4H2A-32BP</b>	<b>High Gloss Black Hood</b>	<b>7 lb.</b>	<b>46.00</b>
<b>VF4H2A-32SS</b>	<b>Brushed Stainless Steel Hood</b>	<b>8 lb.</b>	<b>29.00</b>
<b>Frames</b>			
<b>VFF2A-32SBL</b>	<b>Flat Black Frame</b>	<b>5 lb.</b>	<b>56.00</b>
<b>VFF2A-32SBR</b>	<b>Polished Brass Frame</b>	<b>5 lb.</b>	<b>62.00</b>
<b>VFF2A-32SBP</b>	<b>High Gloss Black Frame</b>	<b>5 lb.</b>	<b>95.00</b>
<b>VFF2A-32SSS</b>	<b>Brushed Stainless Steel Frame</b>	<b>6 lb.</b>	<b>62.00</b>
<b>Louvers</b>			
<b>FBL2A-32BR</b>	<b>Polished Brass Louvers</b>	<b>3 lb.</b>	<b>50.00</b>
<b>FBL2A-32BP</b>	<b>High Gloss Black Louvers</b>	<b>3 lb.</b>	<b>60.00</b>
<b>FBL2A-32SS</b>	<b>Brushed Stainless Steel Louvers</b>	<b>4 lb.</b>	<b>80.00</b>

	VFFD-32	VFFD-32L
A	35"	35"
B	16 1/2"	16 1/2"
C	34"	34"
D	37"	37"
E	32"	32"
F	23 3/4"	23 3/4"
G	14"	13 1/4"
H	20 1/4"	20 1/4"
I	28"	28"



# Breckenridge Series

*(Mantels - See TALL MANTELS page 26-27)*



## Premium Vent-Free Firebox 32"

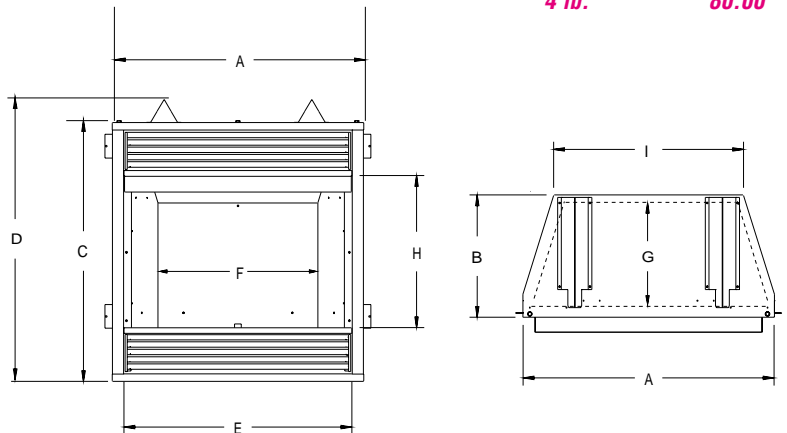
Model Number	Description	Approximate Shipping Wt.	List Price
<b>VFFP-32</b>	<b>Premium Universal 32" Firebox</b>	<b>80 lb.</b>	<b>\$335.00</b>
<b>VFFP-32L</b>	<b>Premium Universal 32" Firebox with Refractory Liner Installed</b>	<b>98 lb.</b>	<b>380.00</b>

*Junction Box included with firebox.*

### FIREBOX ACCESSORIES

Accessory Number	Description	Approximate Shipping Wt.	List Price
<b>Fresh Air Kit</b>			
<b>VBA2A</b>	<b>Kit for Fresh Air Plus</b>	<b>10 lb.</b>	<b>\$ 57.00</b>
<b>Blowers</b>			
<b>FBB2A</b>	<b>Single Speed Blower</b>	<b>8 lb.</b>	<b>135.00</b>
<b>FBB3A</b>	<b>Variable Speed Automatic Blower</b>	<b>15 lb.</b>	<b>185.00</b>
<b>VBD2A-32</b>	<b>Lower Louver Pivot Conversion (for easy access with use of FBB3A blower)</b>	<b>5 lb.</b>	<b>36.00</b>
<b>Liners for VFFP-32 Model only</b>			
<b>VFP2A-32TDA</b>	<b>Ceramic Aged Brick Liner</b>	<b>8 lb.</b>	<b>69.00</b>
<b>Hoods Standard</b>			
<b>VF2H2A-32BR</b>	<b>Polished Brass Hood</b>	<b>6 lb.</b>	<b>24.50</b>
<b>VF2H2A-32BP</b>	<b>High Gloss Black Hood</b>	<b>6 lb.</b>	<b>42.00</b>
<b>VF2H2A-32SS</b>	<b>Brushed Stainless Steel Hood</b>	<b>7 lb.</b>	<b>24.50</b>
<b>Hoods Extended</b>			
<b>VF4H2A-32BL</b>	<b>Flat Black Hood</b>	<b>7 lb.</b>	<b>22.00</b>
<b>VF4H2A-32BR</b>	<b>Polished Brass Hood</b>	<b>7 lb.</b>	<b>29.00</b>
<b>VF4H2A-32BP</b>	<b>High Gloss Black Hood</b>	<b>7 lb.</b>	<b>46.00</b>
<b>VF4H2A-32SS</b>	<b>Brushed Stainless Steel Hood</b>	<b>8 lb.</b>	<b>29.00</b>
<b>Frames</b>			
<b>VFF2A-32TBL</b>	<b>Flat Black Frame</b>	<b>6 lb.</b>	<b>56.00</b>
<b>VFF2A-32TBR</b>	<b>Polished Brass Frame</b>	<b>6 lb.</b>	<b>62.00</b>
<b>VFF2A-32TBP</b>	<b>High Gloss Black Frame</b>	<b>6 lb.</b>	<b>95.00</b>
<b>VFF2A-32TSS</b>	<b>Brushed Stainless Steel Frame</b>	<b>7 lb.</b>	<b>62.00</b>
<b>Louvers</b>			
<b>FBL2A-32BR</b>	<b>Polished Brass Louvers</b>	<b>3 lb.</b>	<b>50.00</b>
<b>FBL2A-32BP</b>	<b>High Gloss Black Louvers</b>	<b>3 lb.</b>	<b>60.00</b>
<b>FBL2A-32SS</b>	<b>Brushed Stainless Steel Louvers</b>	<b>4 lb.</b>	<b>80.00</b>

	VFFP-32	VFFP-32L
A	35"	35"
B	20 1/2"	20 1/2"
C	38"	38"
D	41"	41"
E	32"	32"
F	22"	22"
G	18"	17 1/4"
H	24 1/4"	24 1/4"
I	26 1/4"	26 1/4"



# Breckenridge Series

*(Mantels - See SHORT MANTELS page 28-29)*



## Deluxe Vent-Free Firebox 36"

Model Number	Description	Approximate Shipping Wt.	List Price
<b>VFFD-36</b>	<i>Deluxe Universal 36" Firebox</i>	<b>85 lb.</b>	<b>\$300.00</b>
<b>VFFD-36L</b>	<i>Deluxe Universal 36" Firebox with Refractory Liner Installed</i>	<b>110 lb.</b>	<b>350.00</b>

*Junction Box included with firebox.*

### FIREBOX ACCESSORIES

Accessory Number	Description	Approximate Shipping Wt.	List Price
<b>Blowers</b>			
<b>FBB2A</b>	<i>Single-Speed Blower</i>	<b>8 lb.</b>	<b>\$135.00</b>
<b>FBB3A</b>	<i>Variable-Speed Automatic Blower</i>	<b>15 lb.</b>	<b>185.00</b>
<b>VBD2A-36</b>	<i>Lower Louver Pivot Conversion (for easy access with use of FBB3A blower)</i>	<b>6 lb.</b>	<b>38.00</b>

### Liners for VFFD-36 Model only

<b>VFP2A-36SDA</b>	<i>Ceramic Aged Brick Liner</i>	<b>9 lb.</b>	<b>76.00</b>
--------------------	---------------------------------	--------------	--------------

### Hoods

#### Standard

<b>VF2H2A-36BR</b>	<i>Polished Brass Hood</i>	<b>7 lb.</b>	<b>24.50</b>
<b>VF2H2A-36BP</b>	<i>High Gloss Black Hood</i>	<b>7 lb.</b>	<b>42.00</b>
<b>VF2H2A-36SS</b>	<i>Brushed Stainless Steel Hood</i>	<b>8 lb.</b>	<b>24.50</b>

### Hoods

#### Extended

<b>VF4H2A-36BL</b>	<i>Flat Black Hood</i>	<b>8 lb.</b>	<b>22.00</b>
<b>VF4H2A-36BR</b>	<i>Polished Brass Hood</i>	<b>8 lb.</b>	<b>29.00</b>
<b>VF4H2A-36BP</b>	<i>High Gloss Black Hood</i>	<b>8 lb.</b>	<b>46.00</b>
<b>VF4H2A-36SS</b>	<i>Brushed Stainless Steel Hood</i>	<b>9 lb.</b>	<b>29.00</b>

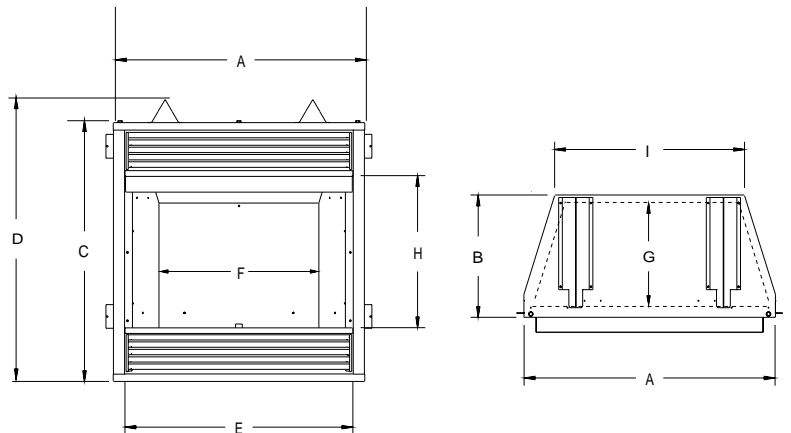
### Frames

<b>VFF2A-36SBL</b>	<i>Flat Black Frame</i>	<b>5 lb.</b>	<b>56.00</b>
<b>VFF2A-36SBR</b>	<i>Polished Brass Frame</i>	<b>5 lb.</b>	<b>62.00</b>
<b>VFF2A-36SBP</b>	<i>High Gloss Black Frame</i>	<b>5 lb.</b>	<b>95.00</b>
<b>VFF2A-36SSS</b>	<i>Brushed Stainless Steel Frame</i>	<b>6 lb.</b>	<b>62.00</b>

### Louvers

<b>FBL2A-36BR</b>	<i>Polished Brass Louvers</i>	<b>4 lb.</b>	<b>50.00</b>
<b>FBL2A-36BP</b>	<i>High Gloss Black Louvers</i>	<b>4 lb.</b>	<b>60.00</b>
<b>FBL2A-36SS</b>	<i>Brushed Stainless Steel Louvers</i>	<b>5 lb.</b>	<b>80.00</b>

	VFFD-36	VFFD-36L
A	39"	39"
B	20 1/2"	20 1/2"
C	36"	36"
D	39"	39"
E	36"	36"
F	26"	26"
G	18"	17 1/4"
H	22 1/4"	22 1/4"
I	30 1/4"	30 1/4"



# Breckenridge Series

*(Mantels - See TALL MANTELS page 28-29)*



## Premium Vent-Free Firebox 36"

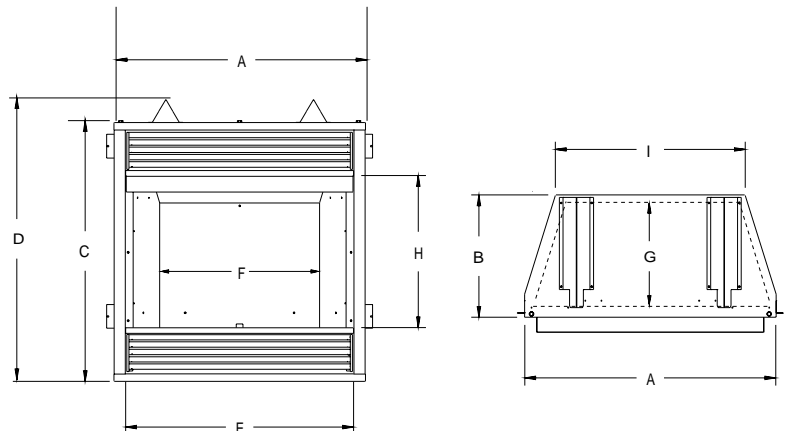
Model Number	Description	Approximate Shipping Wt.	List Price
<b>VFFP-36</b>	<b>Premium Universal 36" Firebox</b>	<b>90 lb.</b>	<b>\$350.00</b>
<b>VFFP-36L</b>	<b>Premium Universal 36" Firebox with Refractory Liner Installed</b>	<b>115 lb.</b>	<b>400.00</b>

*Junction Box included with firebox.*

### FIREBOX ACCESSORIES

Accessory Number	Description	Approximate Shipping Wt.	List Price
<b>Fresh Air Kit</b>			
<b>VBA2A</b>	<b>Kit for Fresh Air Plus</b>	<b>10 lb.</b>	<b>\$ 57.00</b>
<b>Blowers</b>			
<b>FBB2A</b>	<b>Single-Speed Blower</b>	<b>8 lb.</b>	<b>135.00</b>
<b>FBB3A</b>	<b>Variable-Speed Automatic Blower</b>	<b>15 lb.</b>	<b>185.00</b>
<b>VBD2A-36</b>	<b>Lower Louver Pivot Conversion (for easy access with use of FBB3A blower)</b>	<b>5 lb.</b>	<b>38.00</b>
<b>Liners for VFFP-36 Model only</b>			
<b>VFP2A-36TDA</b>	<b>Ceramic Aged Brick Liner</b>	<b>14 lb.</b>	<b>76.00</b>
<b>Hoods</b>			
<b>Standard</b>			
<b>VF2H2A-36BR</b>	<b>Polished Brass Hood</b>	<b>7 lb.</b>	<b>24.50</b>
<b>VF2H2A-36BP</b>	<b>High Gloss Black Hood</b>	<b>7 lb.</b>	<b>42.00</b>
<b>VF2H2A-36SS</b>	<b>Brushed Stainless Steel Hood</b>	<b>8 lb.</b>	<b>24.50</b>
<b>Extended</b>			
<b>VF4H2A-36BL</b>	<b>Flat Black Hood</b>	<b>8 lb.</b>	<b>22.00</b>
<b>VF4H2A-36BR</b>	<b>Polished Brass Hood</b>	<b>8 lb.</b>	<b>29.00</b>
<b>VF4H2A-36BP</b>	<b>High Gloss Black Hood</b>	<b>8 lb.</b>	<b>46.00</b>
<b>VF4H2A-36SS</b>	<b>Brushed Stainless Steel Hood</b>	<b>9 lb.</b>	<b>29.00</b>
<b>Frames</b>			
<b>VFF2A-36TBL</b>	<b>Flat Black Frame</b>	<b>6 lb.</b>	<b>56.00</b>
<b>VFF2A-36TBR</b>	<b>Polished Brass Frame</b>	<b>6 lb.</b>	<b>62.00</b>
<b>VFF2A-36TBP</b>	<b>High Gloss Black Frame</b>	<b>6 lb.</b>	<b>95.00</b>
<b>VFF2A-36TSS</b>	<b>Brushed Stainless Steel Frame</b>	<b>7 lb.</b>	<b>62.00</b>
<b>Louvers</b>			
<b>FBL2A-36BR</b>	<b>Polished Brass Louvers</b>	<b>4 lb.</b>	<b>50.00</b>
<b>FBL2A-36BP</b>	<b>High Gloss Black Louvers</b>	<b>4 lb.</b>	<b>60.00</b>
<b>FBL2A-36SS</b>	<b>Brushed Stainless Steel Louvers</b>	<b>5 lb.</b>	<b>80.00</b>

	VFFP-36	VFFP-36L
A	39"	39"
B	20 1/2"	20 1/2"
C	40"	40"
D	43"	43"
E	36"	36"
F	26"	26"
G	18"	17 1/4"
H	26 1/4"	26 1/4"
I	30 1/4"	30 1/4"



# Breckenridge Series

*(Mantels - See TALL MANTELS page 30)*



## Deluxe Vent-Free Firebox 42"

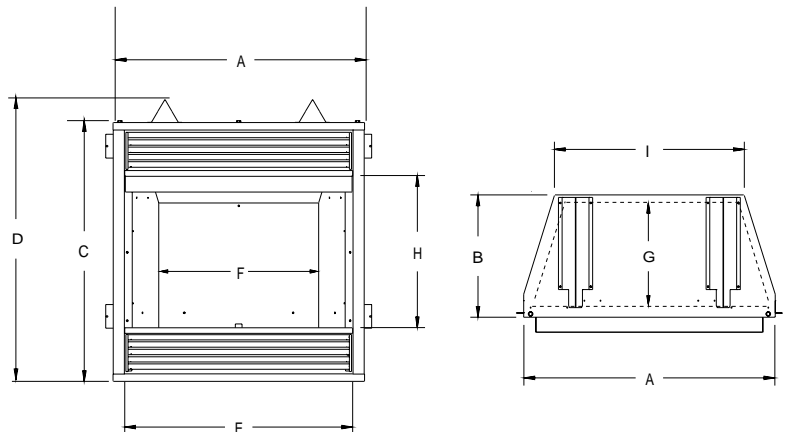
Model Number	Description	Approximate Shipping Wt.	List Price
<b>VFFD-42</b>	<i>Deluxe Universal 42" Firebox</i>	<b>100 lb.</b>	<b>\$375.00</b>
<b>VFFD-42L</b>	<i>Deluxe Universal 42" Firebox with Refractory Liner Installed</i>	<b>125 lb.</b>	<b>435.00</b>

*Junction Box included with firebox.*

### FIREBOX ACCESSORIES

Accessory Number	Description	Approximate Shipping Wt.	List Price
<b>Blowers</b>			
<b>FBB2A</b>	<i>Single-Speed Blower</i>	<b>8 lb.</b>	<b>\$135.00</b>
<b>FBB3A</b>	<i>Variable-Speed Automatic Blower</i>	<b>15 lb.</b>	<b>185.00</b>
<b>VBD2A-42</b>	<i>Lower Louver Pivot Conversion (for easy access with use of FBB3A blower)</i>	<b>5 lb.</b>	<b>40.00</b>
<b>Liners for VFFD-42 Model only</b>			
<b>VFP2A-42SDA</b>	<i>Ceramic Aged Brick Liner</i>	<b>16 lb.</b>	<b>76.00</b>
<b>Hoods</b>			
<b>Standard</b>			
<b>VF2H2A-42BR</b>	<i>Polished Brass Hood</i>	<b>8 lb.</b>	<b>24.50</b>
<b>VF2H2A-42BP</b>	<i>High Gloss Black Hood</i>	<b>8 lb.</b>	<b>42.00</b>
<b>VF2H2A-42SS</b>	<i>Brushed Stainless Steel Hood</i>	<b>9 lb.</b>	<b>24.50</b>
<b>Extended</b>			
<b>VF4H2A-42BL</b>	<i>Flat Black Hood</i>	<b>10 lb.</b>	<b>22.00</b>
<b>VF4H2A-42BR</b>	<i>Polished Brass Hood</i>	<b>10 lb.</b>	<b>29.00</b>
<b>VF4H2A-42BP</b>	<i>High Gloss Black Hood</i>	<b>10 lb.</b>	<b>46.00</b>
<b>VF4H2A-42SS</b>	<i>Brushed Stainless Steel Hood</i>	<b>11 lb.</b>	<b>29.00</b>
<b>Frames</b>			
<b>VFF2A-42SBL</b>	<i>Flat Black Frame</i>	<b>6 lb.</b>	<b>56.00</b>
<b>VFF2A-42SBR</b>	<i>Polished Brass Frame</i>	<b>6 lb.</b>	<b>62.00</b>
<b>VFF2A-42SBP</b>	<i>High Gloss Black Frame</i>	<b>6 lb.</b>	<b>95.00</b>
<b>VFF2A-42SSS</b>	<i>Brushed Stainless Steel Frame</i>	<b>7 lb.</b>	<b>62.00</b>
<b>Louvers</b>			
<b>FBL2A-42BR</b>	<i>Polished Brass Louvers</i>	<b>5 lb.</b>	<b>55.00</b>
<b>FBL2A-42BP</b>	<i>High Gloss Black Louvers</i>	<b>5 lb.</b>	<b>65.00</b>
<b>FBL2A-42SS</b>	<i>Brushed Stainless Steel Louvers</i>	<b>6 lb.</b>	<b>85.00</b>

	VFFD-42	VFFD-42L
A	45"	45"
B	20 1/2"	20 1/2"
C	38"	38"
D	41"	41"
E	42"	42"
F	32"	32"
G	18"	17 1/4"
H	24 1/4"	24 1/4"
I	36 1/4"	36 1/4"



# Breckenridge Series

*(Mantels - See TALL MANTELS page 30)*



## Premium Vent-Free Firebox 42"

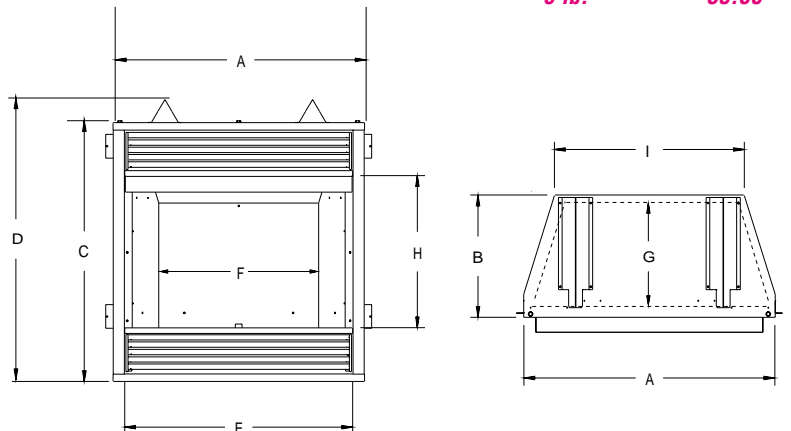
Model Number	Description	Approximate Shipping Wt.	List Price
<b>VFFP-42</b>	<i>Premium Universal 42" Firebox</i>	<b>108 lb.</b>	<b>\$435.00</b>
<b>VFFP-42L</b>	<i>Premium Universal 42" Firebox with Refractory Liner Installed</i>	<b>130 lb.</b>	<b>500.00</b>

*Junction Box included with firebox.*

### FIREBOX ACCESSORIES

Accessory Number	Description	Approximate Shipping Wt.	List Price
<b>Fresh Air Kit</b>			
<b>VBA2A</b>	<i>Kit for Fresh Air Plus</i>	<b>10 bs.</b>	<b>\$ 57.00</b>
<b>Blowers</b>			
<b>FBB2A</b>	<i>Single-Speed Blower</i>	<b>8 lb.</b>	<b>135.00</b>
<b>FBB3A</b>	<i>Variable-Speed Automatic Blower</i>	<b>15 lb.</b>	<b>185.00</b>
<b>VBD2A-42</b>	<i>Lower Louver Pivot Conversion (for easy access with use of FBB3A blower)</i>	<b>5 lb.</b>	<b>40.00</b>
<b>Liners for VFFP-42 Model only</b>			
<b>VFP2A-42TDA</b>	<i>Ceramic Aged Brick Liner</i>	<b>17 lb.</b>	<b>76.00</b>
<b>Hoods</b>			
<b>Standard</b>			
<b>VF2H2A-42BR</b>	<i>Polished Brass Hood</i>	<b>8 lb.</b>	<b>24.50</b>
<b>VF2H2A-42BP</b>	<i>High Gloss Black Hood</i>	<b>8 lb.</b>	<b>42.00</b>
<b>VF2H2A-42SS</b>	<i>Brushed Stainless Steel Hood</i>	<b>9 lb.</b>	<b>24.50</b>
<b>Extended</b>			
<b>VF4H2A-42BL</b>	<i>Flat Black Hood</i>	<b>10 lb.</b>	<b>22.00</b>
<b>VF4H2A-42BR</b>	<i>Polished Brass Hood</i>	<b>10 lb.</b>	<b>29.00</b>
<b>VF4H2A-42BP</b>	<i>High Gloss Black Hood</i>	<b>10 lb.</b>	<b>46.00</b>
<b>VF4H2A-42SS</b>	<i>Brushed Stainless Steel Hood</i>	<b>11 lb.</b>	<b>29.00</b>
<b>Frames</b>			
<b>VFF2A-42TBL</b>	<i>Flat Black Frame</i>	<b>7 lb.</b>	<b>56.00</b>
<b>VFF2A-42TBR</b>	<i>Polished Brass Frame</i>	<b>7 lb.</b>	<b>62.00</b>
<b>VFF2A-42TBP</b>	<i>High Gloss Black Frame</i>	<b>7 lb.</b>	<b>95.00</b>
<b>VFF2A-42TSS</b>	<i>Brushed Stainless Steel Frame</i>	<b>8 lb.</b>	<b>62.00</b>
<b>Louvers</b>			
<b>FBL2A-42BR</b>	<i>Polished Brass Louvers</i>	<b>5 lb.</b>	<b>55.00</b>
<b>FBL2A-42BP</b>	<i>High Gloss Black Louvers</i>	<b>5 lb.</b>	<b>65.00</b>
<b>FBL2A-42SS</b>	<i>Brushed Stainless Steel Louvers</i>	<b>6 lb.</b>	<b>85.00</b>

	VFFP-42	VFFP-42L
A	45"	45"
B	20 1/2"	20 1/2"
C	40"	40"
D	43"	43"
E	42"	42"
F	32"	32"
G	18"	17 1/4"
H	26 1/4"	26 1/4"
I	36 1/4"	36 1/4"



# The Taos Series

Specify LP Or Natural Gas



*Shown with Optional Mantel*

## Taos Mini Vent-Free Gas Fireplace with Single Log

Model Number	Input Btu	Temperature Control	Ignition System	Approximate Shipping Wt.	List Price
<b>VFBL-30</b>	30,000	Modulating Hydraulic Thermostat	Standing Pilot/Piezo	43 lb.	\$456.00

### ACCESSORIES

Accessory Number	Description	Color	Approximate Shipping Wt.	List Price
VFB-BK	Automatic Blower		3 lb.	\$60.50
VFF1A-20BR	Frame (for custom installations)	Polished Brass	6 lb.	58.50
VFBFS	Floor Stand	Black	4 lb.	37.50



*Shown with Optional Mantel*

## Taos Maxi Vent-Free Gas Fireplace with Two Logs

Model Number	Input Btu	Temperature Control	Ignition System	Approximate Shipping Wt.	List Price
<b>VFBH-30</b>	30,000	Modulating Hydraulic Thermostat	Standing Pilot /Piezo	43 lb.	\$520.00

### ACCESSORIES

Accessory Number	Description	Color	Approximate Shipping Wt.	List Price
VFB-BK	Automatic Blower		3 lb.	\$60.50
VFF1A-20BR	Frame (for custom installations)	Polished Brass	6 lb.	58.50
VFBFS	Floor Stand	Black	4 lb.	37.50

## Mantels for Taos Mini and Taos Maxi

Accessory Number	Description	Color	Approximate Shipping Wt.	List Price
EMF-20C	Cabinet Mantel w/Base & Brass Frame	Cherry Finish	36 lb.	336.00
EMF-20O	Cabinet Mantel w/Base & Brass Frame	Oak Finish	36 lb.	353.00
<b>EMF-20DO</b>	<b>Cabinet Mantel w/Base &amp; Brass Frame</b>	<b>Dark Oak Finish</b>	<b>36 lb.</b>	<b>353.00</b>
EMF-20W	Cabinet Mantel w/Base & Brass Frame	White Finish	36 lb.	336.00
EMF-20UH	Cabinet Mantel w/Base & Brass Frame	Unfinished Hardwood	36 lb.	321.00
EMF-20UO	Cabinet Mantel w/Base & Brass Frame	Unfinished Oak	36 lb.	337.00
EMC-20C	Corner Cabinet Mantel w/Base & Brass Frame	Cherry Finish	48 lb.	336.00
EMC-20O	Corner Cabinet Mantel w/Base & Brass Frame	Oak Finish	48 lb.	353.00
<b>EMC-20DO</b>	<b>Corner Cabinet Mantel w/Base &amp; Brass Frame</b>	<b>Dark Oak Finish</b>	<b>48 lb.</b>	<b>353.00</b>
EMC-20W	Corner Cabinet Mantel w/Base & Brass Frame	White Finish	48 lb.	336.00
EMC-20UH	Corner Cabinet Mantel w/Base & Brass Frame	Unfinished Hardwood	48 lb.	321.00
EMC-20UO	Corner Cabinet Mantel w/Base & Brass Frame	Unfinished Oak	48 lb.	337.00

# The Vail Series

Specify LP Or Natural Gas



Shown  
with  
Optional  
Mantel

## Vail 20 Vent-Free Fireplace (with Slope Glaze Burner System)

Model Number	Input Btu	Temperature Control	Ignition System	Approximate Shipping Wt.	List Price
<b>VFHS-20/10T</b>	20,000/10,000	Modulating Hydraulic Thermostat	Standing Pilot/Piezo	51 lb.	\$704.00
<b>VFHS-20R</b>	20,000	On/Off Millivolt	Standing Pilot/Piezo	51 lb.	762.00

### ACCESSORIES

Accessory Number	Description	Approximate Shipping Wt.	List Price
VFS-BK	Single-Speed Automatic Blower	3 lb.	\$114.00
EHL-24-1	Ceramic Brick Liner	6 lb.	55.00
VPP1A-22	Ceramic Aged Brick Liner	6 lb.	59.00

### Control Options for VFHS-20R Models only

GWSG-T	Wall Thermostat, Millivolt	2 lb.	32.00
<b>TMV</b>	<b>Wall Thermostat, Millivolt - Reed Switch</b>	<b>2 lb.</b>	<b>19.00</b>
FRBC	Battery Operated Remote Control	1 lb.	102.00
FRBTC	Battery Operated Remote Control with Thermostat	1 lb.	188.00
FREC	Electric Remote Control	1 lb.	76.00
FWS-1	Wall Switch	1 lb.	15.00

## Mantels for Vail 20 Series

Accessory Number	Description	Color	Approximate Shipping Wt.	List Price
EMF-22C	Cabinet Mantel w/Base	Cherry Finish	55 lb.	313.00
EMF-22O (replaces EHM24-OF)	Cabinet Mantel w/Base	Oak Finish	55 lb.	354.00
<b>EMF-22DO</b>	<b>Cabinet Mantel w/Base</b>	<b>Dark Oak Finish</b>	<b>55 lb.</b>	<b>354.00</b>
EMF-22W	Cabinet Mantel w/Base	White Finish	55 lb.	313.00
EMF-22UH (replaces EHM24-U)	Cabinet Mantel w/Base	Unfinished Hardwood	55 lb.	294.00
EMF-22UO	Cabinet Mantel w/Base	Unfinished Oak	55 lb.	319.00
EMC-22C	Corner Cabinet Mantel w/Base	Cherry Finish	70 lb.	364.00
EMC-22O (replaces EHM24-COF)	Corner Cabinet Mantel w/Base	Oak Finish	70 lb.	412.00
<b>EMC-22DO</b>	<b>Corner Cabinet Mantel w/Base</b>	<b>Dark Oak Finish</b>	<b>70 lb.</b>	<b>412.00</b>
EMC-22W	Corner Cabinet Mantel w/Base	White Finish	70 lb.	364.00
EMC-22UH (replaces EHM24-CU)	Corner Cabinet Mantel w/Base	Unfinished Hardwood	70 lb.	354.00
EMC-22UO	Corner Cabinet Mantel w/Base	Unfinished Oak	70 lb.	383.00

# The Vail Series

Specify LP Or Natural Gas (*Mantels - See SHORT MANTELS page 26-27*)



## Vail 32 Vent-Free Fireplace Systems (with Slope Glaze Burner System)

Model Number	Input Btu	Temperature Control	Ignition System	Approximate Shipping Wt.	List Price
<i>VFHD-32T</i>	<i>30,000</i>	<i>Modulating Hydraulic Thermostat</i>	<i>Standing Pilot/Piezo</i>	<i>90 lb.</i>	<i>\$ 890.00</i>
<i>VFHD-32TV</i>	<i>30,000</i>	<i>Modulating Hydraulic Thermostat</i>	<i>Standing Pilot/Piezo</i>	<i>105 lb.</i>	<i>1,075.00</i>
<i>VFHD-32R</i>	<i>30,000</i>	<i>On/Off Millivolt</i>	<i>Standing Pilot/Piezo</i>	<i>90 lb.</i>	<i>945.00</i>
<i>VFHD-32RV</i>	<i>30,000</i>	<i>On/Off Millivolt</i>	<i>Standing Pilot/Piezo</i>	<i>105 lb.</i>	<i>1,130.00</i>

*Vail 32 Models Include Flat Black Frame  
TV & RV models have FBB3A Variable-Speed blower installed.*

### ACCESSORIES

Accessory Number	Description	Approximate Shipping Wt.	List Price
EK-1	Embers Kit	4 lb.	\$ 29.00

### Blowers

<i>FBB2A</i>	<i>Single-Speed Blower</i>	<i>8 lb.</i>	<i>135.00</i>
<i>FBB3A</i>	<i>Variable-Speed Automatic Blower</i>	<i>15 lb.</i>	<i>185.00</i>

### Control Options for VFHD-32R Models only

GWSG-T	Wall Thermostat, Millivolt	2 lb.	32.00
<i>TMV</i>	<i>Wall Thermostat, Millivolt - Reed Switch</i>	<i>2 lb.</i>	<i>19.00</i>
FRBC	Battery Operated Remote Control	1 lb.	102.00
FRBTC	Battery Operated Remote Control with Thermostat	1 lb.	188.00
FREC	Electric Remote Control	1 lb.	76.00
FWS-1	Wall Switch	1 lb.	15.00

### Liners

<i>VFP2A-32SSA</i>	<i>Ceramic Aged Brick Liner</i>	<i>7 lb.</i>	<i>69.00</i>
--------------------	---------------------------------	--------------	--------------

### Hoods

<i>VF2H2A-32BR</i>	<i>Polished Brass Hood</i>	<i>6 lb.</i>	<i>24.50</i>
<i>VF2H2A-32BP</i>	<i>High Gloss Black Hood</i>	<i>6 lb.</i>	<i>42.00</i>
<i>VF2H2A-32SS</i>	<i>Brushed Stainless Steel Hood</i>	<i>7 lb.</i>	<i>24.50</i>

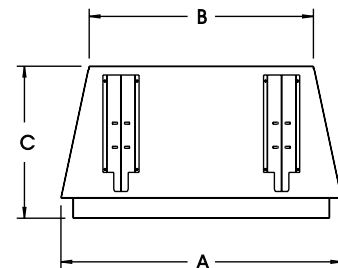
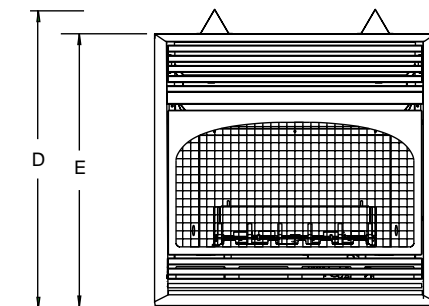
### Frames (Vail 32 Includes Flat Black Frame)

<i>VFF2A-32SBR</i>	<i>Polished Brass Frame</i>	<i>5 lb.</i>	<i>62.00</i>
<i>VFF2A-32SBP</i>	<i>High Gloss Black Frame</i>	<i>5 lb.</i>	<i>95.00</i>
<i>VFF2A-32SSS</i>	<i>Brushed Stainless Steel Frame</i>	<i>6 lb.</i>	<i>62.00</i>

### Louvers

<i>FBL2A-32BR</i>	<i>Polished Brass Louvers</i>	<i>3 lb.</i>	<i>50.00</i>
<i>FBL2A-32BP</i>	<i>High Gloss Black Louvers</i>	<i>3 lb.</i>	<i>60.00</i>
<i>FBL2A-32SS</i>	<i>Brushed Stainless Steel Louvers</i>	<i>4 lb.</i>	<i>80.00</i>

A	35"
B	28"
C	20"
D	37"
E	34"



# The Vail Series

Specify LP Or Natural Gas *(Mantels - See SHORT MANTELS page 28-29)*



## Vail 36 Vent-Free Fireplace Systems (with Slope Glaze Burner System)

*Shown with Optional Mantel and Accessories*

Model Number	Input Btu	Temperature Control	Ignition System	Approximate Shipping Wt.	List Price
<i>VFHD-36T</i>	<i>36,000</i>	<i>Modulating Hydraulic Thermostat</i>	<i>Standing Pilot/Piezo</i>	<i>114 lb.</i>	<i>\$ 1,015.00</i>
<i>VFHD-36TV</i>	<i>36,000</i>	<i>Modulating Hydraulic Thermostat</i>	<i>Standing Pilot/Piezo</i>	<i>129 lb.</i>	<i>1,200.00</i>
<i>VFHD-36R</i>	<i>36,000</i>	<i>On/Off Millivolt</i>	<i>Standing Pilot/Piezo</i>	<i>114 lb.</i>	<i>1,070.00</i>
<i>VFHD-36RV</i>	<i>36,000</i>	<i>On/Off Millivolt</i>	<i>Standing Pilot/Piezo</i>	<i>129 lb.</i>	<i>1,255.00</i>

*Vail 36 Models Include Flat Black Frame  
TV & RV models have FBB3A Variable-Speed blower installed.*

### ACCESSORIES

Accessory Number	Description	Approximate Shipping Wt.	List Price
EK-1	Embers Kit	4 lb.	\$ 29.00

### Blowers

<i>FBB2A</i>	<i>Single-Speed Blower</i>	<i>8 lb.</i>	<i>135.00</i>
<i>FBB3A</i>	<i>Variable-Speed Automatic Blower</i>	<i>15 lb.</i>	<i>185.00</i>

### Control Options for VFHD-36R Models only

GWSG-T	Wall Thermostat, Millivolt	2 lb.	32.00
<i>TMV</i>	<i>Wall Thermostat, Millivolt</i>	<i>2 lb.</i>	<i>19.00</i>
FRBC	Battery Operated Remote Control	1 lb.	102.00
FRBTC	Battery Operated Remote Control with Thermostat	1 lb.	188.00
FREC	Electric Remote Control	1 lb.	76.00
FWS-1	Wall Switch	1 lb.	15.00

### Liners

<i>VFP2A-36SSA</i>	<i>Ceramic Aged Brick Liner</i>	<i>9 lb.</i>	<i>76.00</i>
--------------------	---------------------------------	--------------	--------------

### Hoods

<i>VF2H2A-36BR</i>	<i>Polished Brass Hood</i>	<i>7 lb.</i>	<i>24.50</i>
<i>VF2H2A-36BP</i>	<i>High Gloss Black Hood</i>	<i>7 lb.</i>	<i>42.00</i>
<i>VF2H2A-36SS</i>	<i>Brushed Stainless Steel Hood</i>	<i>8 lb.</i>	<i>24.50</i>

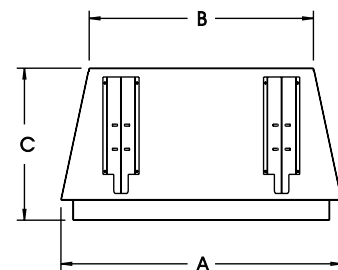
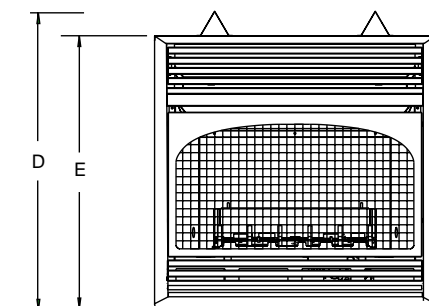
### Frames (Vail 36 Includes Flat Black Frame)

<i>VFF2A-36SBR</i>	<i>Polished Brass Frame</i>	<i>5 lb.</i>	<i>62.00</i>
<i>VFF2A-36SBP</i>	<i>High Gloss Black Frame</i>	<i>5 lb.</i>	<i>95.00</i>
<i>VFF2A-36SSS</i>	<i>Brushed Stainless Steel Frame</i>	<i>6 lb.</i>	<i>62.00</i>

### Louvers

<i>FBL2A-36BR</i>	<i>Polished Brass Louvers</i>	<i>4 lb.</i>	<i>50.00</i>
<i>FBL2A-36BP</i>	<i>High Gloss Black Louvers</i>	<i>4 lb.</i>	<i>60.00</i>
<i>FBL2A-36SS</i>	<i>Brushed Stainless Steel Louvers</i>	<i>5 lb.</i>	<i>80.00</i>

A	39"
B	32"
C	20"
D	39"
E	36"



# The Tahoe Series

Specify LP Or Natural Gas **(Mantels - See DELUXE FLUSH MANTELS page 25 & SHORT MANTELS page 26-30)**



Shown with Optional Mantel and Accessories

## Tahoe Direct-Vent Gas Fireplace Decorative & Heater Rated Models (30", 36" & 42" with Slope Glaze Burner System)

Model Number	Input Btu	Firebox Opening	Temperature Control	Ignition System	Approximate Shipping Wt.	List Price
<b>All DVS-36 &amp; 42 Models are Decorative/Heater Rated — Top/Rear Vent (ships as top vent decorative) Slope Glaze Burner System</b>						
<b>DVS-30</b>	20,000	30"	On/Off Millivolt	Standing Pilot/Piezo	150 lb.	1,050.00
<b>DVS-30RF</b>	20,000	30"	Thermostat Remote Control	Standing Pilot/Piezo	165 lb.	1,417.00
<b>DVS-36</b>	25,000	36"	On/Off Millivolt	Standing Pilot/Piezo	183 lb.	1,195.00
<b>DVS-36IP</b>	25,000	36"	On/Off 24V	Intermittent Pilot	183 lb.	1,261.00
<b>DVS-36RF</b>	25,000	36"	Thermostat Remote Control	Standing Pilot/Piezo	198 lb.	1,562.00
<b>DVS-42</b>	28,000	42"	On/Off Millivolt	Standing Pilot/Piezo	205 lb.	1,351.00
<b>DVS-42IP</b>	28,000	42"	On/Off 24V	Intermittent Pilot	205 lb.	1,418.00
<b>DVS-42RF</b>	28,000	42"	Thermostat Remote Control	Standing Pilot/Piezo	220 lb.	1,718.00
<b>RF Models come with Blower and Variable Flame Height Thermostat Remote Control</b>						
Accessory Number	Description				Approximate Shipping Wt.	List Price
<b>Control Options for DVS Models (excluding DVS-RF Models)</b>						
GWSG-T	Wall Thermostat, Millivolt				2 lb.	\$ 32.00
<b>TMV</b>	<b>Wall Thermostat, Millivolt - Reed Switch</b>				<b>2 lb.</b>	<b>19.00</b>
FRBC	Battery Operated Remote Control				1 lb.	102.00
FRBTC	Battery Operated Remote Control with Thermostat				1 lb.	188.00
FREC	Electric Remote Control				1 lb.	76.00
FWS-1	Wall Switch				1 lb.	15.00
<b>DVS-30 (See Page 26-27 for 32" Mantel Accessories)</b>						
EK-1	Embers Kit				4 lb.	29.00
DVFB-AK-30	Fresh Air Plus Kit				10 lb.	57.00
FBB1A	Single-Speed Automatic Blower (not for RF models)				10 lb.	135.00
FB-BK-2	Variable-Speed Automatic Blower (not for RF models)				15 lb.	180.00
DVS-BL-30	Ceramic Brick Liner				10 lb.	62.00
DVP1A-30	Ceramic Aged Brick Liner				10 lb.	66.50
FBJB-1	Junction Box Kit				3 lb.	13.00
<b>Venting</b>						
DVVK-4T	Direct-Vent Fireplace Vent Kit for Top Vent (Includes SD-911B, SD-985, SD-990 and SD-947 Firestop)				30 lb.	180.00
DVVK-4R	Direct-Vent Fireplace Vent Kit for Rear Vent (standard thru-the-wall venting) (Includes SD-908, SD-985 and SD-947 Firestop)				30 lb.	150.00
Corner Venting — additional pipe will be required. Refer to instruction manual for venting recommendations.						
<b>Frames</b>						
FBF-30BL-2	Flat Black Frame				5 lb.	44.00
DVFBF-30BR-1	Polished Brass Frame				6 lb.	59.50
FBF-30BP-2	High Gloss Black Frame				5 lb.	87.00
<b>Louvers</b>						
FBL-30BR-2	Polished Brass Louvers				5 lb.	75.50
FBL-30BP-2	High Gloss Black Louvers				6 lb.	88.00
<b>Window Trim</b>						
DVWT-30BR	Polished Brass Window Trim				10 lb.	38.00

# Direct-Vent Accessories

## (30", 36" & 42" with Glaze Burner System)

### DVS-36 Accessories (See Page 25 for 36" Deluxe Flush-Mount Mantels and 28-29 for 36" Mantels)

EK-1	Embers Kit	4 lb.	\$ 29.00
FB-AK-2	Fresh Air Plus Kit	10 lb.	57.00
FBB1A	Single-Speed Automatic Blower (not for RF models)	10 lb.	135.00
FB-BK-2	Variable-Speed Automatic Blower (not for RF models)	15 lb.	180.00
DVS-BL-36	Ceramic Brick Liner (for DVS models only)	10 lb.	75.00
DVP1A-36	Ceramic Aged Brick Liner	10 lb.	76.00
FBJB-1	Junction Box Kit (for non-IP DVS models only)	3 lb.	13.00

### Venting

DVVK-5T-1	Direct-Vent Fireplace Vent Kit for Top Vent (Includes SD-1208, SD-1284, SD-1290 and Firestop)	30 lb.	180.00
DVVK-5R-1	Direct-Vent Fireplace Vent Kit for Rear Vent (standard thru-the-wall venting) (Includes SD-1208, SD-1284 and Firestop)	30 lb.	150.00

Corner Venting — additional pipe will be required. Refer to instruction manual for venting recommendations.

### Frames

FBF-36BL-2	Flat Black Frame	5 lb.	46.50
DVFBF-36BR-1	Polished Brass Frame	6 lb.	62.00
FBF-36BP-2	High Gloss Black Frame	5 lb.	95.00

### Louvers

FBL-36BR-2	Polished Brass Louvers	5 lb.	80.00
FBL-36BP-2	High Gloss Black Louvers	6 lb.	95.00

### Window Trim

DVWT-36BR	Polished Brass Window Trim	10 lb.	40.00
-----------	----------------------------	--------	-------

### DVS-42 Accessories (See Page 25 for 42" Deluxe Flush-Mount Mantels and 30 for 42" Mantels)

EK-1	Embers Kit	4 lb.	29.00
FB-AK-2	Fresh Air Plus Kit	10 lb.	57.00
FBB1A	Single-Speed Automatic Blower (not for RF models)	10 lb.	135.00
FB-BK-2	Variable-Speed Automatic Blower (not for RF models)	15 lb.	180.00
DVS-BL-42	Ceramic Brick Liner (for DVS models only)	12 lb.	78.00
DVP1A-42	Ceramic Aged Brick Liner	12 lb.	83.50
FBJB-1	Junction Box Kit (for non-IP DVS models only)	3 lb.	13.00

### Venting

DVVK-5T-1	Direct-Vent Fireplace Vent Kit for Top Vent (Includes SD-1208, SD-1284, SD-1290 and Firestop)	30 lb.	180.00
DVVK-5R-1	Direct-Vent Fireplace Vent Kit for Rear Vent (standard thru-the-wall venting) (Includes SD-1208, SD-1284 and Firestop)	30 lb.	150.00

Corner Venting — additional pipe will be required. Refer to instruction manual for venting recommendations.

### Frames

FBF-42BL-2	Flat Black Frame	6 lb.	49.00
DVFBF-42BR-1	Polished Brass Frame	6 lb.	64.50
FBF-42BP-2	High Gloss Black Frame	7 lb.	103.00

### Louvers

FBL-42BR-2	Polished Brass Louvers	7 lb.	84.50
FBL-42BP-2	High Gloss Black Louvers	7 lb.	98.00

### Window Trim

DVWT-42BR	Polished Brass Window Trim	15 lb.	42.00
-----------	----------------------------	--------	-------

# Venting Accessories

## Direct-Vent Units Only (Simpson Dura-Vent)

Accessory Number	Description	Color	Approximate Shipping Wt.	List Price
<b>BWDV-40, CIDV-30 and DVS-30 Vent Accessories (4" x 6 5/8")</b>				
SD-902B	48" Pipe Length	Black	9 lb.	\$ 79.00
SD-903B	36" Pipe Length	Black	6 lb.	65.00
SD-904B	24" Pipe Length	Black	5 lb.	51.00
SD-906B	12" Pipe Length	Black	2 lb.	41.50
SD-907B	9" Pipe Length	Black	2 lb.	41.00
SD-908B	6" Pipe Length	Black	2 lb.	38.00
SD-911B	Adjustable Pipe Length 11 - 14 5/8"	Black	4 lb.	68.00
SD-923GK	Direct-Vent Chimney Linear Termination Kit	—	8 lb.	122.00
SD-940	Round Support Box Wall Thimble Cover	—	3 lb.	55.00
SD-942	Wall Thimble	—	4 lb.	36.00
SD-943	Roof Flashing - 0/12 to 6/12 Roof Pitch	—	4 lb.	26.50
SD-945B	45° Elbow	Black	3 lb.	48.00
SD-947	Wall Firestop (DVS-30 only)	—	2 lb.	26.50
SD-950	Vinyl Siding Standoff	—	5 lb.	66.00
SD-953	Storm Collar	—	3 lb.	8.00
SD-963	Ceiling Firestop	—	3 lb.	8.50
SD-981	36" Snorkel	—	19 lb.	461.00
SD-982	14" Snorkel	—	12 lb.	403.00
SD-985	Horizontal High Wind Square Top	—	5 lb.	151.00
SD-988	Wall Strap	—	3 lb.	16.00
<b>SD-990</b>	<b>90° Elbow</b>	<b>Galvanized</b>	<b>3 lb.</b>	<b>46.00</b>
SD-990B	90° Elbow	Black	3 lb.	56.00
SD-991	High Wind Vertical Top	—	3 lb.	58.50
SD-2280	3" x 35' Flex Extension	—	5 lb.	146.00
<b>DVS-36 and DVS-42 Vent Accessories (5" x 8")</b>				
SD-1202	48" Pipe Length	Galvanized	10 lb.	61.50
SD-1203	36" Pipe Length	Galvanized	7 lb.	51.00
SD-1204	24" Pipe Length	Galvanized	5 lb.	42.00
SD-1206	12" Pipe Length	Galvanized	3 lb.	32.00
SD-1207	9" Pipe Length	Galvanized	2 lb.	27.50
SD-1208	6" Pipe Length	Galvanized	2 lb.	24.00
SD-1211	Adjustable Pipe Length 11 - 14 5/8"	Galvanized	4 lb.	38.50
SD-1242	Wall Firestop	—	3 lb.	39.00
SD-1243	Adjustable Flashing 0/12-6/12	—	3 lb.	48.00
SD-1245	45° Elbow	Galvanized	3 lb.	43.00
SD-1250	Vinyl Siding Standoff	—	5 lb.	67.00
SD-1253	Storm Collar	—	1 lb.	12.50
SD-1263	Ceiling Firestop	—	1 lb.	9.50
SD-1281	Snorkel Termination Cap 36"	—	20 lb.	440.00
SD-1282	Snorkel Termination Cap 14"	—	20 lb.	384.00
SD-1284	Horizontal Square Termination Cap	—	13 lb.	154.00
SD-1290	90° Elbow	Galvanized	5 lb.	50.00
SD-1291	High Wind Vertical Termination Cap	—	3 lb.	65.00

For venting questions and additional Simpson Dura-Vent Product, call 1-800-835-4429.

# Deluxe Flush-Mount Mantels

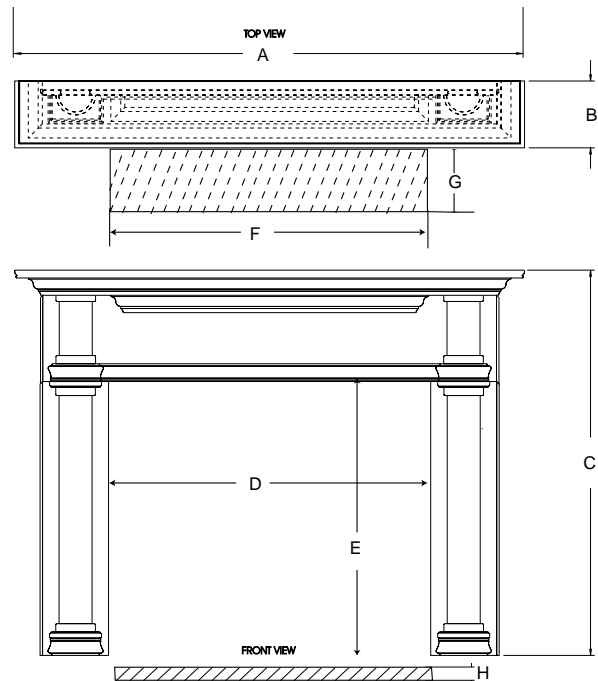


## 36" & 42" Flush Mantels

Accessory Number	Description	Approximate Shipping Wt.	List Price
<b>36" Deluxe Flush-Mount Mantels</b>			
For use with: 36" VF Deluxe Firebox, 36" VF Deluxe Fireplace, 36" DV Fireplace			
EFMD36-OF	Oak Finish	150 lb.	\$866.00
EFMD36-U	Unfinished Paint Grade	140 lb.	722.00
*Must order stone surround			
<b>Bases</b>			
EFMD-SB36-OF	Oak Veneer	15 lb.	100.00
EFMD-SB36-U	Unfinished Paint Grade	13 lb.	92.50
*Must order stone kit			
<b>Stone Surround for Mantel</b>			
EFMD-SS36-1P	Gray Botticino	35 lb.	206.00
EFMD-SS36-1E	Empress Green	35 lb.	206.00
<b>Stone Kit for Base</b>			
EFMD-SBK36-2P	Gray Botticino	27 lb.	139.00
EFMD-SBK36-2E	Empress Green	27 lb.	139.00

Accessory Number	Description	Approximate Shipping Wt.	List Price
<b>42" Deluxe Flush-Mount Mantels</b>			
For use with: 42" VF Deluxe Firebox, 42" VF Deluxe Fireplace, 42" DV Fireplace			
EFMD42-OF	Oak Finish	160 lb.	\$955.00
EFMD42-U	Unfinished Paint Grade	160 lb.	850.00
*Must order stone surround			
<b>Base</b>			
EFMD-SB42-OF	Oak Veneer	18 lb.	100.00
EFMD-SB42-U	Unfinished Paint Grade	15 lb.	95.00
*Must order stone kit			
<b>Stone Surround for Mantel</b>			
EFMD-SS42-1P	Gray Botticino	40 lb.	231.50
EFMD-SS42-1E	Empress Green	40 lb.	231.50
<b>Stone Kit for Base</b>			
EFMD-SBK42-2P	Gray Botticino	30 lb.	159.50
EFMD-SBK42-2E	Empress Green	30 lb.	159.50

Mantel	EFMD-36	EFMD-42
A	77 1/4	84 3/16
B	10 1/8	10 1/8
C	58 3/8	60 3/8
D	48 13/16	55 3/4
E	41 1/2	43 1/2
Base	EFMD-SB36	EFMD-SB42
F	48 3/8	54 7/16
G	11 5/8	11 5/8
*H	13/16	13/16



# Universal Mantels

## 32" Mantels

Fits WMH 32" Fireboxes,  
32" Fireplaces and accepts  
most universal units  
from other manufacturers



Accessory Number	Description	Approximate Shipping Wt.	List Price	Accessory Number	Description	Approximate Shipping Wt.	List Price
------------------	-------------	--------------------------	------------	------------------	-------------	--------------------------	------------

### Short Mantels

#### Shallow Full Cabinet Mantels

For use with: 32" VF Deluxe Firebox,  
32" VF Deluxe Fireplace, 30" DV Fireplace

<i>UMF-32SS-C</i>	<i>Cherry Finish</i>	<i>166 lb.</i>	<i>\$466.00</i>
<i>UMF-32SS-O</i>	<i>Oak Finish</i>	<i>166 lb.</i>	<i>490.00</i>
<i>UMF-32SS-DO</i>	<i>Dark Oak Finish</i>	<i>166 lb.</i>	<i>490.00</i>
<i>UMF-32SS-W</i>	<i>White Finish</i>	<i>166 lb.</i>	<i>466.00</i>
<i>UMF-32SS-UH</i>	<i>Unfinished Hardwood</i>	<i>166 lb.</i>	<i>434.00</i>
<i>UMF-32SS-UO</i>	<i>Unfinished Oak</i>	<i>166 lb.</i>	<i>457.00</i>

#### Flush-Mount Mantels

For use with: 32" VF Deluxe Firebox,  
32" VF Deluxe Fireplace, 30" DV Fireplace

<i>UMFL-32S-C</i>	<i>Cherry Finish</i>	<i>122 lb.</i>	<i>392.00</i>
<i>UMFL-32S-O</i>	<i>Oak Finish</i>	<i>122 lb.</i>	<i>413.00</i>
<i>UMFL-32S-DO</i>	<i>Dark Oak Finish</i>	<i>122 lb.</i>	<i>413.00</i>
<i>UMFL-32S-W</i>	<i>White Finish</i>	<i>122 lb.</i>	<i>392.00</i>
<i>UMFL-32S-UH</i>	<i>Unfinished Hardwood</i>	<i>122 lb.</i>	<i>364.00</i>
<i>UMFL-32S-UO</i>	<i>Unfinished Oak</i>	<i>122 lb.</i>	<i>384.00</i>

#### Corner Cabinet Mantels

For use with: 32" VF Deluxe Firebox,  
32" VF Deluxe Fireplace, 30" DV Fireplace

<i>UMC-32S-C</i>	<i>Cherry Finish</i>	<i>145 lb.</i>	<i>519.00</i>
<i>UMC-32S-O</i>	<i>Oak Finish</i>	<i>145 lb.</i>	<i>545.50</i>
<i>UMC-32S-DO</i>	<i>Dark Oak Finish</i>	<i>145 lb.</i>	<i>545.50</i>
<i>UMC-32S-W</i>	<i>White Finish</i>	<i>145 lb.</i>	<i>519.00</i>
<i>UMC-32S-UH</i>	<i>Unfinished Hardwood</i>	<i>145 lb.</i>	<i>483.00</i>
<i>UMC-32S-UO</i>	<i>Unfinished Oak</i>	<i>145 lb.</i>	<i>508.00</i>

### Tall Mantels

#### Deep Full Cabinet Mantels

For use with:  
32" VF Premium Firebox

<i>UMF-32TD-C</i>	<i>Cherry Finish</i>	<i>185 lb.</i>	<i>\$530.00</i>
<i>UMF-32TD-O</i>	<i>Oak Finish</i>	<i>185 lb.</i>	<i>556.00</i>
<i>UMF-32TD-DO</i>	<i>Dark Oak Finish</i>	<i>185 lb.</i>	<i>556.00</i>
<i>UMF-32TD-W</i>	<i>White Finish</i>	<i>185 lb.</i>	<i>530.00</i>
<i>UMF-32TD-UH</i>	<i>Unfinished Hardwood</i>	<i>185 lb.</i>	<i>494.50</i>
<i>UMF-32TD-UO</i>	<i>Unfinished Oak</i>	<i>185 lb.</i>	<i>519.50</i>

#### Flush-Mount Mantels

For use with:  
32" VF Premium Firebox

<i>UMFL-32T-C</i>	<i>Cherry Finish</i>	<i>126 lb.</i>	<i>404.00</i>
<i>UMFL-32T-O</i>	<i>Oak Finish</i>	<i>126 lb.</i>	<i>425.00</i>
<i>UMFL-32T-DO</i>	<i>Dark Oak Finish</i>	<i>126 lb.</i>	<i>425.00</i>
<i>UMFL-32T-W</i>	<i>White Finish</i>	<i>126 lb.</i>	<i>404.00</i>
<i>UMFL-32T-UH</i>	<i>Unfinished Hardwood</i>	<i>126 lb.</i>	<i>376.00</i>
<i>UMFL-32T-UO</i>	<i>Unfinished Oak</i>	<i>126 lb.</i>	<i>396.00</i>

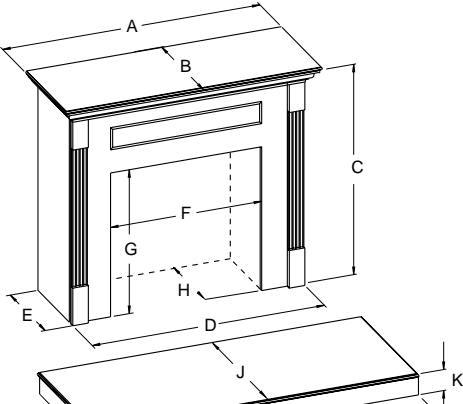
#### Corner Cabinet Mantels

For use with:  
32" VF Premium Firebox

<i>UMC-32T-C</i>	<i>Cherry Finish</i>	<i>154 lb.</i>	<i>535.00</i>
<i>UMC-32T-O</i>	<i>Oak Finish</i>	<i>154 lb.</i>	<i>561.50</i>
<i>UMC-32T-DO</i>	<i>Dark Oak Finish</i>	<i>154 lb.</i>	<i>561.50</i>
<i>UMC-32T-W</i>	<i>White Finish</i>	<i>154 lb.</i>	<i>535.00</i>
<i>UMC-32T-UH</i>	<i>Unfinished Hardwood</i>	<i>154 lb.</i>	<i>499.00</i>
<i>UMC-32T-UO</i>	<i>Unfinished Oak</i>	<i>154 lb.</i>	<i>524.00</i>

# Universal Mantels

## 32" Mantel Accessories

Accessory Number	Description	Approximate Shipping Wt.	List Price	Accessory Number	Description	Approximate Shipping Wt.	List Price
<b>Shallow Full Bases</b>				<b>Laminate for Mantels (Use with Frame Kit)</b>			
<i>UBF-3236S-C</i>	<i>Cherry Finish</i>	<i>68 lb.</i>	<i>\$266.00</i>	<i>UMT-32T-E</i>	<i>Emerald</i>	<i>3 lb.</i>	<i>\$63.00</i>
<i>UBF-3236S-O</i>	<i>Oak Finish</i>	<i>68 lb.</i>	<i>280.00</i>	<i>UMT-32T-P</i>	<i>Parchment</i>	<i>3 lb.</i>	<i>63.00</i>
<i>UBF-3236S-DO</i>	<i>Dark Oak Finish</i>	<i>68 lb.</i>	<i>280.00</i>	<i>UMT-32T-B</i>	<i>Black Marble</i>	<i>3 lb.</i>	<i>63.00</i>
<i>UBF-3236S-W</i>	<i>White Finish</i>	<i>68 lb.</i>	<i>266.00</i>	<b>Laminate with Edge for Mantels (Frame Kit not Required)</b>			
<i>UBF-3236S-UH</i>	<i>Unfinished Hardwood</i>	<i>68 lb.</i>	<i>242.00</i>	<i>UMTE-32T-E</i>	<i>Emerald</i>	<i>3 lb.</i>	<i>120.00</i>
<i>UBF-3236S-UO</i>	<i>Unfinished Oak</i>	<i>68 lb.</i>	<i>255.00</i>	<i>UMTE-32T-P</i>	<i>Parchment</i>	<i>3 lb.</i>	<i>120.00</i>
<b>Deep Full Bases</b>				<i>UMTE-32T-B</i>	<i>Black Marble</i>	<i>3 lb.</i>	<i>120.00</i>
<i>UBF-3236D-C</i>	<i>Cherry Finish</i>	<i>68 lb.</i>	<i>277.00</i>	<b>Laminate for Full and Flush Bases</b>			
<i>UBF-3236D-O</i>	<i>Oak Finish</i>	<i>68 lb.</i>	<i>291.00</i>	<i>UBFT-3236-E</i>	<i>Emerald</i>	<i>3 lb.</i>	<i>102.00</i>
<i>UBF-3236D-DO</i>	<i>Dark Oak Finish</i>	<i>68 lb.</i>	<i>291.00</i>	<i>UBFT-3236-P</i>	<i>Parchment</i>	<i>3 lb.</i>	<i>102.00</i>
<i>UBF-3236D-W</i>	<i>White Finish</i>	<i>68 lb.</i>	<i>277.00</i>	<i>UBFT-3236-B</i>	<i>Black Marble</i>	<i>3 lb.</i>	<i>102.00</i>
<i>UBF-3236D-UH</i>	<i>Unfinished Hardwood</i>	<i>68 lb.</i>	<i>252.00</i>	<b>Laminate for Corner Bases</b>			
<i>UBF-3236D-UO</i>	<i>Unfinished Oak</i>	<i>68 lb.</i>	<i>265.00</i>	<i>UBCT-3236-E</i>	<i>Emerald</i>	<i>4 lb.</i>	<i>106.00</i>
<b>Flush Bases</b>				<i>UBCT-3236-P</i>	<i>Parchment</i>	<i>4 lb.</i>	<i>106.00</i>
<i>UBFL-3236-C</i>	<i>Cherry Finish</i>	<i>27 lb.</i>	<i>213.50</i>	<i>UBCT-3236-B</i>	<i>Black Marble</i>	<i>4 lb.</i>	<i>106.00</i>
<i>UBFL-3236-O</i>	<i>Oak Finish</i>	<i>27 lb.</i>	<i>225.00</i>				
<i>UBFL-3236-DO</i>	<i>Dark Oak Finish</i>	<i>27 lb.</i>	<i>225.00</i>				
<i>UBFL-3236-W</i>	<i>White Finish</i>	<i>27 lb.</i>	<i>213.50</i>				
<i>UBFL-3236-UH</i>	<i>Unfinished Hardwood</i>	<i>27 lb.</i>	<i>192.00</i>				
<i>UBFL-3236-UO</i>	<i>Unfinished Oak</i>	<i>27 lb.</i>	<i>202.00</i>				
<b>Corner Bases</b>							
<i>UBC-3236-C</i>	<i>Cherry Finish</i>	<i>64 lb.</i>	<i>346.50</i>				
<i>UBC-3236-O</i>	<i>Oak Finish</i>	<i>64 lb.</i>	<i>364.00</i>				
<i>UBC-3236-DO</i>	<i>Dark Oak Finish</i>	<i>64 lb.</i>	<i>364.00</i>				
<i>UBC-3236-W</i>	<i>White Finish</i>	<i>64 lb.</i>	<i>346.50</i>				
<i>UBC-3236-UH</i>	<i>Unfinished Hardwood</i>	<i>64 lb.</i>	<i>285.50</i>				
<i>UBC-3236-UO</i>	<i>Unfinished Oak</i>	<i>64 lb.</i>	<i>300.00</i>				

Mantel	A	B	C	D	E	F	G	H	
UMF-32SS	64 7/8	21 3/4	52 5/8	57 3/8	18	<b>Maximum Opening</b>	42 1/2	38	
						<b>Minimum Opening</b>	34	29 1/2	
UMF-32TD	64 7/8	27 1/2	56 5/8	57 3/8	23 3/4	<b>Maximum Opening</b>	42 1/2	42	
						<b>Minimum Opening</b>	34	33 1/2	
UMFL-32S	64 7/8	6 3/4	52 5/8	57 3/8	3	<b>Maximum Opening</b>	42 1/2	38	
						<b>Minimum Opening</b>	34	29 1/2	
UMFL-32T	64 7/8	6 3/4	56 5/8	57 3/8	3	<b>Maximum Opening</b>	42 1/2	42	
						<b>Minimum Opening</b>	34	33 1/2	
UMC-32S	70 7/8	39 1/2	52 5/8	68 3/8		<b>Maximum Opening</b>	42 1/2	38	
						<b>Minimum Opening</b>	34	29 1/2	
UMC-32T	70 7/8	39 1/2	56 5/8	68 3/8		<b>Maximum Opening</b>	42 1/2	42	
						<b>Minimum Opening</b>	34	33 1/2	
Base	I	J	K						
UBF-3236S	69 1/4	28 5/8	4						
UBF-3236D	69 1/4	34 5/8	4						
UBFL-3236	69 1/4	12 1/2	4						
UBC-3236	76 1/2	22	4						

# Universal Mantels

## 36" Mantels

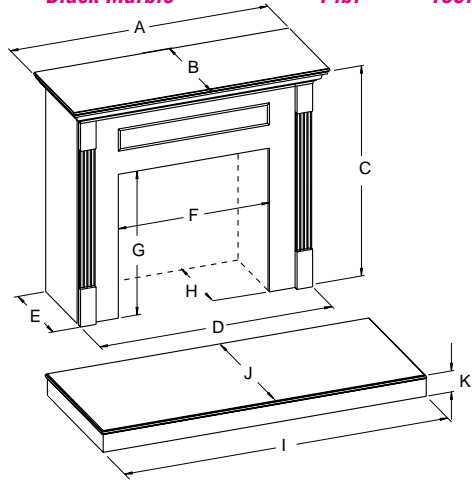
Fits WMH 36" Fireboxes,  
36" Fireplaces and accepts  
most universal units  
from other manufacturers



Accessory Number	Description	Approximate Shipping Wt.	List Price	Accessory Number	Description	Approximate Shipping Wt.	List Price
<b>Short Mantels</b>				<b>Tall Mantels</b>			
<b>Shallow Full Cabinet Mantels</b>				<b>Shallow Full Cabinet Mantels — Not Available</b>			
For use with: 36" VF Deluxe Fireplace							
<i>UMF-36SS-C</i>	<i>Cherry Finish</i>	<i>174 lb.</i>	<i>\$569.50</i>				
<i>UMF-36SS-O</i>	<i>Oak Finish</i>	<i>174 lb.</i>	<i>600.50</i>				
<i>UMF-36SS-DO</i>	<i>Dark Oak Finish</i>	<i>174 lb.</i>	<i>600.50</i>				
<i>UMF-36SS-W</i>	<i>White Finish</i>	<i>174 lb.</i>	<i>569.50</i>				
<i>UMF-36SS-UH</i>	<i>Unfinished Hardwood</i>	<i>174 lb.</i>	<i>496.00</i>				
<i>UMF-36SS-UO</i>	<i>Unfinished Oak</i>	<i>174 lb.</i>	<i>520.00</i>				
<b>Deep Full Cabinet Mantels</b>				<b>Deep Full Cabinet Mantels</b>			
For use with: 36" VF Deluxe Firebox, 36" VF Deluxe Fireplace, 36" DV Fireplace				For use with: 36" VF Premium Firebox			
<i>UMF-36SD-C</i>	<i>Cherry Finish</i>	<i>187 lb.</i>	<i>585.50</i>	<i>UMF-36TD-C</i>	<i>Cherry Finish</i>	<i>194 lb.</i>	<i>\$585.50</i>
<i>UMF-36SD-O</i>	<i>Oak Finish</i>	<i>187 lb.</i>	<i>616.50</i>	<i>UMF-36TD-O</i>	<i>Oak Finish</i>	<i>194 lb.</i>	<i>616.50</i>
<i>UMF-36SD-DO</i>	<i>Dark Oak Finish</i>	<i>187 lb.</i>	<i>616.50</i>	<i>UMF-36TD-DO</i>	<i>Dark Oak Finish</i>	<i>194 lb.</i>	<i>616.50</i>
<i>UMF-36SD-W</i>	<i>White Finish</i>	<i>187 lb.</i>	<i>585.50</i>	<i>UMF-36TD-W</i>	<i>White Finish</i>	<i>194 lb.</i>	<i>585.50</i>
<i>UMF-36SD-UH</i>	<i>Unfinished Hardwood</i>	<i>187 lb.</i>	<i>512.00</i>	<i>UMF-36TD-UH</i>	<i>Unfinished Hardwood</i>	<i>194 lb.</i>	<i>512.00</i>
<i>UMF-36SD-UO</i>	<i>Unfinished Oak</i>	<i>187 lb.</i>	<i>540.00</i>	<i>UMF-36TD-UO</i>	<i>Unfinished Oak</i>	<i>194 lb.</i>	<i>540.00</i>
<b>Flush-Mount Mantels</b>				<b>Flush-Mount Mantels</b>			
For use with: 36" VF Deluxe Firebox, 36" VF Deluxe Fireplace, 36" DV Fireplace				For use with: 36" VF Premium Firebox			
<i>UMFL-36S-C</i>	<i>Cherry Finish</i>	<i>130 lb.</i>	<i>512.50</i>	<i>UMFL-36T-C</i>	<i>Cherry Finish</i>	<i>134 lb.</i>	<i>528.50</i>
<i>UMFL-36S-O</i>	<i>Oak Finish</i>	<i>130 lb.</i>	<i>540.50</i>	<i>UMFL-36T-O</i>	<i>Oak Finish</i>	<i>134 lb.</i>	<i>556.50</i>
<i>UMFL-36S-DO</i>	<i>Dark Oak Finish</i>	<i>130 lb.</i>	<i>540.50</i>	<i>UMFL-36T-DO</i>	<i>Dark Oak Finish</i>	<i>134 lb.</i>	<i>556.50</i>
<i>UMFL-36S-W</i>	<i>White Finish</i>	<i>130 lb.</i>	<i>512.50</i>	<i>UMFL-36T-W</i>	<i>White Finish</i>	<i>134 lb.</i>	<i>528.50</i>
<i>UMFL-36S-UH</i>	<i>Unfinished Hardwood</i>	<i>130 lb.</i>	<i>429.00</i>	<i>UMFL-36T-UH</i>	<i>Unfinished Hardwood</i>	<i>134 lb.</i>	<i>445.00</i>
<i>UMFL-36S-UO</i>	<i>Unfinished Oak</i>	<i>130 lb.</i>	<i>450.00</i>	<i>UMFL-36T-UO</i>	<i>Unfinished Oak</i>	<i>134 lb.</i>	<i>470.00</i>
<b>Corner Cabinet Mantels</b>				<b>Corner Cabinet Mantels</b>			
For use with: 36" VF Deluxe Firebox, 36" VF Deluxe Fireplace, 36" DV Fireplace				For use with: 36" VF Premium Firebox			
<i>UMC-36S-C</i>	<i>Cherry Finish</i>	<i>159 lb.</i>	<i>658.00</i>	<i>UMC-36T-C</i>	<i>Cherry Finish</i>	<i>166 lb.</i>	<i>674.00</i>
<i>UMC-36S-O</i>	<i>Oak Finish</i>	<i>159 lb.</i>	<i>691.00</i>	<i>UMC-36T-O</i>	<i>Oak Finish</i>	<i>166 lb.</i>	<i>707.00</i>
<i>UMC-36S-DO</i>	<i>Dark Oak Finish</i>	<i>159 lb.</i>	<i>691.00</i>	<i>UMC-36T-DO</i>	<i>Dark Oak Finish</i>	<i>166 lb.</i>	<i>707.00</i>
<i>UMC-36S-W</i>	<i>White Finish</i>	<i>159 lb.</i>	<i>658.00</i>	<i>UMC-36T-W</i>	<i>White Finish</i>	<i>166 lb.</i>	<i>674.00</i>
<i>UMC-36S-UH</i>	<i>Unfinished Hardwood</i>	<i>159 lb.</i>	<i>619.00</i>	<i>UMC-36T-UH</i>	<i>Unfinished Hardwood</i>	<i>166 lb.</i>	<i>635.00</i>
<i>UMC-36S-UO</i>	<i>Unfinished Oak</i>	<i>159 lb.</i>	<i>650.00</i>	<i>UMC-36T-UO</i>	<i>Unfinished Oak</i>	<i>166 lb.</i>	<i>667.00</i>

# Universal Mantels

## 36" Mantel Accessories

Accessory Number	Description	Approximate Shipping Wt.	List Price	Accessory Number	Description	Approximate Shipping Wt.	List Price
<b>Shallow Full Bases</b>				<b>Laminate for Mantels (Use with Frame Kit)</b>			
<i>UBF-3236S-C</i>	<i>Cherry Finish</i>	<i>68 lb.</i>	<i>\$266.00</i>	<i>UMT-36T-E</i>	<i>Emerald</i>	<i>3 lb.</i>	<i>\$96.00</i>
<i>UBF-3236S-O</i>	<i>Oak Finish</i>	<i>68 lb.</i>	<i>280.00</i>	<i>UMT-36T-P</i>	<i>Parchment</i>	<i>3 lb.</i>	<i>96.00</i>
<i>UBF-3236S-DO</i>	<i>Dark Oak Finish</i>	<i>68 lb.</i>	<i>280.00</i>	<i>UMT-36T-B</i>	<i>Black Marble</i>	<i>3 lb.</i>	<i>96.00</i>
<i>UBF-3236S-W</i>	<i>White Finish</i>	<i>68 lb.</i>	<i>266.00</i>	<b>Laminate with Edge for Mantels (Frame Kit not Required)</b>			
<i>UBF-3236S-UH</i>	<i>Unfinished Hardwood</i>	<i>68 lb.</i>	<i>242.00</i>	<i>UMTE-36T-E</i>	<i>Emerald</i>	<i>3 lb.</i>	<i>184.00</i>
<i>UBF-3236S-UO</i>	<i>Unfinished Oak</i>	<i>68 lb.</i>	<i>255.00</i>	<i>UMTE-36T-P</i>	<i>Parchment</i>	<i>3 lb.</i>	<i>184.00</i>
<b>Deep Full Bases</b>				<i>UMTE-36T-B</i>	<i>Black Marble</i>	<i>3 lb.</i>	<i>184.00</i>
<i>UBF-3236D-C</i>	<i>Cherry Finish</i>	<i>68 lb.</i>	<i>277.00</i>	<b>Laminate For Full and Flush Bases</b>			
<i>UBF-3236D-O</i>	<i>Oak Finish</i>	<i>68 lb.</i>	<i>291.00</i>	<i>UBFT-3236-E</i>	<i>Emerald</i>	<i>3 lb.</i>	<i>102.00</i>
<i>UBF-3236D-DO</i>	<i>Dark Oak Finish</i>	<i>68 lb.</i>	<i>291.00</i>	<i>UBFT-3236-P</i>	<i>Parchment</i>	<i>3 lb.</i>	<i>102.00</i>
<i>UBF-3236D-W</i>	<i>White Finish</i>	<i>68 lb.</i>	<i>277.00</i>	<i>UBFT-3236-B</i>	<i>Black Marble</i>	<i>3 lb.</i>	<i>102.00</i>
<i>UBF-3236D-UH</i>	<i>Unfinished Hardwood</i>	<i>68 lb.</i>	<i>252.00</i>	<b>Laminate For Corner Bases</b>			
<i>UBF-3236D-UO</i>	<i>Unfinished Oak</i>	<i>68 lb.</i>	<i>265.00</i>	<i>UBCT-3236-E</i>	<i>Emerald</i>	<i>4 lb.</i>	<i>106.00</i>
<b>Flush Bases</b>				<i>UBCT-3236-P</i>	<i>Parchment</i>	<i>4 lb.</i>	<i>106.00</i>
<i>UBFL-3236-C</i>	<i>Cherry Finish</i>	<i>31 lb.</i>	<i>213.50</i>	<i>UBCT-3236-B</i>	<i>Black Marble</i>	<i>4 lb.</i>	<i>106.00</i>
<i>UBFL-3236-O</i>	<i>Oak Finish</i>	<i>31 lb.</i>	<i>225.00</i>				
<i>UBFL-3236-DO</i>	<i>Dark Oak Finish</i>	<i>31 lb.</i>	<i>225.00</i>				
<i>UBFL-3236-W</i>	<i>White Finish</i>	<i>31 lb.</i>	<i>213.50</i>				
<i>UBFL-3236-UH</i>	<i>Unfinished Hardwood</i>	<i>31 lb.</i>	<i>192.00</i>				
<i>UBFL-3236-UO</i>	<i>Unfinished Oak</i>	<i>31 lb.</i>	<i>202.00</i>				
<b>Corner Bases</b>							
<i>UBC-3236-C</i>	<i>Cherry Finish</i>	<i>64 lb.</i>	<i>346.50</i>				
<i>UBC-3236-O</i>	<i>Oak Finish</i>	<i>64 lb.</i>	<i>364.00</i>				
<i>UBC-3236-DO</i>	<i>Dark Oak Finish</i>	<i>64 lb.</i>	<i>364.00</i>				
<i>UBC-3236-W</i>	<i>White Finish</i>	<i>64 lb.</i>	<i>346.50</i>				
<i>UBC-3236-UH</i>	<i>Unfinished Hardwood</i>	<i>64 lb.</i>	<i>285.50</i>				
<i>UBC-3236-UO</i>	<i>Unfinished Oak</i>	<i>64 lb.</i>	<i>300.00</i>				

Mantel	A	B	C	D	E	F	G	H	
UMF-36SS	68 7/8	21 3/4	54 5/8	61 3/8	18	<b>Maximum Opening</b> <b>Minimum Opening</b>	46 1/2 38	40 31 1/2	17 1/4 17 1/4
UMF-36SD	68 7/8	27 1/2	54 5/8	61 3/8	23 3/4	<b>Maximum Opening</b> <b>Minimum Opening</b>	46 1/2 38	40 31 1/2	23 23
UMF-36TD	68 7/8	27 1/2	58 5/8	61 3/8	23 3/4	<b>Maximum Opening</b> <b>Minimum Opening</b>	46 1/2 38	44 35 1/2	23 23
UMFL-36S	68 7/8	6 3/4	54 5/8	61 3/8	3	<b>Maximum Opening</b> <b>Minimum Opening</b>	46 1/2 38	40 31 1/2	
UMFL-36T	68 7/8	6 3/4	58 5/8	61 3/8	3	<b>Maximum Opening</b> <b>Minimum Opening</b>	46 1/2 38	44 35 1/2	
UMC-36S	75 7/8	43 3/4	54 5/8	73 3/8		<b>Maximum Opening</b> <b>Minimum Opening</b>	46 1/2 38	40 31 1/2	40 3/4 40 3/4
UMC-36T	75 7/8	43 3/4	58 5/8	73 3/8		<b>Maximum Opening</b> <b>Minimum Opening</b>	46 1/2 38	44 35 1/2	40 3/4 40 3/4
Base	I	J	K						
UBF-3236S	69 1/4	28 5/8	4						
UBF-3236D	69 1/4	34 5/8	4						
UBFL-3236	69 1/4	12 1/2	4						
UBC-3236	76 1/2	22	4						

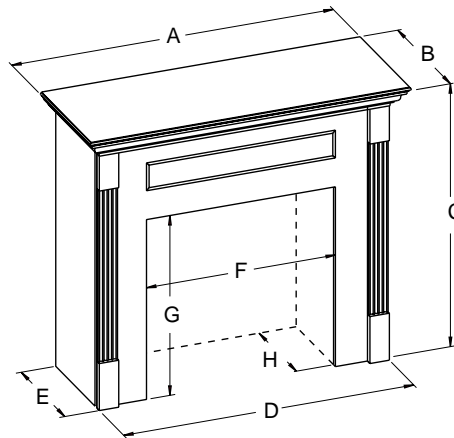
# Universal Mantels

## 42" Mantels

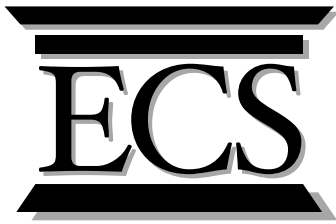
**Fits WMH 42" Fireboxes,  
42" DV Fireplaces and accepts  
most universal units  
from other manufacturers**



Accessory Number	Description	Approximate Shipping Wt.	List Price	Accessory Number	Description	Approximate Shipping Wt.	List Price
<b>Tall Mantels</b>				<b>Laminate for Mantels (Use with Frame Kit)</b>			
<b>Deep Full Cabinet Mantels</b>				<b>Laminate with Edge for Mantels (Frame Kit not Required)</b>			
For use with: 42" VF Deluxe Firebox, 42" VF Premium Firebox, 42" DV Fireplace				For use with: 42" VF Deluxe Firebox, 42" VF Premium Firebox, 42" DV Fireplace			
UMF-42TD-C	Cherry Finish	212 lb.	\$683.00	UMT-42T-E	Emerald	3 lb.	114.00
UMF-42TD-O	Oak Finish	212 lb.	714.00	UMT-42T-P	Parchment	3 lb.	114.00
UMF-42TD-DO	Dark Oak Finish	212 lb.	714.00	UMT-42T-B	Black Marble	3 lb.	114.00
UMF-42TD-W	White Finish	212 lb.	683.00				
UMF-42TD-UH	Unfinished Hardwood	212 lb.	597.00	UMTE-42T-E	Emerald	3 lb.	217.00
UMF-42TD-UO	Unfinished Oak	212 lb.	627.00	UMTE-42T-P	Parchment	3 lb.	217.00
				UMTE-42T-B	Black Marble	3 lb.	217.00
<b>Flush-Mount Mantels</b>							
For use with: 42" VF Deluxe Firebox, 42" VF Premium Firebox, 42" DV Fireplace							
UMFL-42T-C	Cherry Finish	140 lb.	610.00				
UMFL-42T-O	Oak Finish	140 lb.	638.00				
UMFL-42T-DO	Dark Oak Finish	140 lb.	638.00				
UMFL-42T-W	White Finish	140 lb.	610.00				
UMFL-42T-UH	Unfinished Hardwood	140 lb.	533.00				
UMFL-42T-UO	Unfinished Oak	140 lb.	560.00				



Mantel	A	B	C	D	E	F	G	H	
UMF-42TD	74 7/8	28 1/2	60 5/8	67 3/8	56 7/8	Maximum Opening	52 1/2	46	24
						Minimum Opening	44	37 1/2	24
UMFL-42T	74 7/8	6 3/4	60 5/8	67 3/8	3	Maximum Opening	52 1/2	46	
						Minimum Opening	44	37 1/2	



Empire Comfort Systems

Empire Comfort Systems, Inc. Nine Eighteen Freeburg Ave. Belleville, Illinois 62222-0529

618-233-7420

800-851-3153

FAX 800-443-8648

FAX 618-233-7097

www.empirecomfort.com

E-mail: info@empirecomfort.com

Dear Dealer:

Empire Comfort Systems has updated our web site to include a dealer listing to help your customers find you.

Our database allows the consumer to enter a zip code and search for dealers that carry a specific type of product. All dealers located within a radius of this zip code will be listed. If you have a web site, we provide a direct link to that site in the address listing. If you participate in Empire's Live Burn Programs you will be listed in bold.

To be included, please fill out the form below to let us know which Empire products you currently sell and indicate if you have Live Burn Programs active for these products. **Please print clearly.**

Should you have any questions or need further assistance, please contact us. To see a demonstration of this database, visit our web site at www.empirecomfort.com.

Sincerely,

Jeff Cleveland  
Marketing Manager

**Yes! I want to be included in the Empire Web Site Listing.**

Dealer Name \_\_\_\_\_

Street Address \_\_\_\_\_

City, State, Zip \_\_\_\_\_

Contact \_\_\_\_\_

E-Mail Address \_\_\_\_\_

Web Site Address \_\_\_\_\_

Phone \_\_\_\_\_ Fax \_\_\_\_\_

Distributor's Name \_\_\_\_\_

ECS Products     Empire Space Heating     White Mountain Fireplace     Superb Outdoor

Live Burn Display     Empire Space Heating     White Mountain Fireplace     Superb Outdoor

Live Burn Display Items \_\_\_\_\_



**"LIVE BURN" DISPLAY PROGRAM:**

A one-time allowance will be earned for each new Empire Comfort Systems "Live Burn" unit installed in the distributor's or dealer's showroom(s). The schedule of allowances is as follows:

AMOUNT	UNITS
<b>Empire Heating Systems</b>	
\$ 25	Vent-Free Heaters (SR and BF Models)
\$ 25	Direct-Vent Furnaces (DV-210, DV-25, DV-35, DVC-35, DV-55, MV-120, MV-130, MV-145)
\$ 25	Room Heater Models (RH-25, RH-35, RH-50B, C, CB; RH-65B, C, CB)
\$ 25	Hi-efficient Models (DV-20E, DV-40E, DV-55E)
<b>White Mountain Hearth Products</b>	
\$ 150	Vent-Free Fireplace — Taos Series (VFBL-30 & VFBH-30)
\$ 150	Vent-Free Fireplace – Charred Oak (VFHS-20/10T, VFHD-32(T, R), VFHD-36(T, R))
\$ 100	Logs (Vented and Vent-Free)
\$ 100	Universal Fireboxes
\$ 300	Fireplace w/Mantel Accessory (Vented and Vent-Free)
\$ 300	Firebox w/Log and Mantel Accessory
\$ 300	Cast Iron Stoves
\$ 300	Fireplace Insert
\$ 300	Freestanding Stove
\$ 200	Chimenea-Indoor Vent-Free Grapeleaf Design
\$ 100	Chimenea-Outdoor Grapeleaf Design

NOTE: Removal of any directly competing hearth unit, verified by the Empire Sales Representative, would warrant a 50% increase in Live Burn credit. This requires a net increase of Empire products in the Live Burn program on the showroom floor.

The intent of this program is to support a maximum of one "Live Burn" display unit per model type, per distributor or dealer showroom. Program limits reimbursement to one claim per model type, per location.

Document installations per the Empire "Live Burn" Program.





## Empire "Live Burn" Program Affidavit

Dealer Instructions:

1. Install any new Empire unit(s) to a permanent supply of gas on your showroom floor.
2. You must display unit(s) for one year from date of installation.
3. Have your distributor salesperson complete this form. (*Please print*)
4. Attach photo of unit(s).
5. Distributor submits document to Empire.
6. Empire will issue a check to the dealer.

Dealer Name \_\_\_\_\_

Street Address P.O. Box # \_\_\_\_\_

City \_\_\_\_\_ State \_\_\_\_\_ Zip \_\_\_\_\_

Phone \_\_\_\_\_ Web Site Address \_\_\_\_\_

If you would like to be added to the dealer locator on the Empire Web Site, please "X" here .

Please indicate which product lines you currently sell.

Empire Residential Heating     Empire Fireplace Products     Superb Outdoor Products

Distributor Name \_\_\_\_\_

Distributor Address \_\_\_\_\_

City \_\_\_\_\_ State \_\_\_\_\_ Zip \_\_\_\_\_

Distributor Salesperson Signature:

Model	Serial Number	Allowance
_____	_____	_____
_____	_____	_____
_____	_____	_____
		Total _____

Removal of Competitive Unit Verification

Competitive Model Number Replaced \_\_\_\_\_

Extra Allowance \_\_\_\_\_

Empire Sales Representative Signature \_\_\_\_\_

**Empire Comfort Systems, Inc.**  
Nine Eighteen Freeburg Avenue • Belleville, IL 62220-2623  
1-800-851-3153 • FAX 1-800-443-8648



2003

## Co-operative Advertising Program

We are pleased to make available this 50-50 co-operative advertising program. Its sole purpose is to help in the sale of Empire products through more and better advertising, and the following terms and conditions are part of the program to make it most effective for you and for us. There can be no exceptions or deviations. Funds not claimed by February 28 of the following year expire on this date.

### Here's How the Plan Works:

Any Empire dealer or wholesaler/distributor is entitled to receive up to 2% of the total net dollars of regular priced Empire brand goods (excluding repair parts) shipped from **January 1 through the end of December** for advertising, provided the dealer or wholesaler/distributor spends an equal sum or more. ***This co-op program is not retroactive, nor can any credits be carried to the following year.*** All co-op claims must be received by February 28 to qualify for payment. No credit whatsoever will be given on claims submitted after this date. **Credit cannot be taken until credit memo is issued from Empire.**

As an example, if your total net purchases from us amount to \$20,000 in goods shipped **January 1 through the end of December**, you can expend up to \$800.00 on allowable media with the understanding we will pay \$400.00, and you will pay \$400.00. If you use, let us say, \$500.00 worth of allowable media, our share would be \$250.00 and yours \$250.00. If allowable media expenses amount to more than \$800.00 (with your purchases at \$20,000.00 in goods shipped), our share of the cost would remain \$400.00 or 2% of the net shipments.

Any Empire literature can be purchased and will be applied 100% to your co-op advertising fund.

Our share is never to exceed 2% of your total net shipments and is always to be matched by at least an equal amount paid by you.

Prior written approval is necessary on advance co-op use. In other words, if you wish to run a SPIFF program in September, and to submit a claim for the program in December, you must send a written explanation to Empire before you begin the program.

### Reimbursement Will Be Made For The Following:

1. DAILY AND WEEKLY NEWSPAPERS — special interest papers, such as fraternal, labor or religious, do not qualify.
2. RADIO AND TELEVISION — commercial time only, exclusively Empire.
3. OUTDOOR
4. DIRECT MAIL

5. FLOOR DISPLAYS
6. SHOPPING NEWS
7. SIGNS
8. SHOW SPACE
9. TELEPHONE DIRECTORY AND SPACE
10. WEB PAGES

### Special Instructions:

**INDIVIDUAL ADS — (No competitive merchandise may be included in the same advertisement.)** If the Empire ad is within a larger store-wide ad, the Empire section must be prominently featured. Radio and TV announcements must be exclusively Empire. No other merchandise may be included.

**EMPIRE BRAND-NAME —** Must be prominently featured in each ad. Copies of logotype are available upon request. Logo must not be altered to fit in a space.

### How to File Claim:

To help speed payment of your claim and give us both assurance that we are meeting the requirements of the law, the substantiation listed below should be sent to:

Empire Comfort Systems, Inc.  
Literature Department  
918 Freeburg Avenue  
Belleville, Illinois 62220-2623

**NEWSPAPER —** One tear sheet of the ad accompanied by an invoice showing the newspaper, date of ad, size of ad, and total cost.

**RADIO AND TV —** The radio or TV station invoice, station affidavit of performance, and copies of scripts.

**DIRECT MAIL —** In case of statement enclosures or other direct mail pieces not furnished by us, a copy of the mail piece, a verified printing invoice, and an affidavit of circulation.

**OTHER MEDIA —** In case of other approved media, a special request should be submitted, and you will be advised as to the substantiation required.

**WEB PAGES —** Hard copy of website pages, accompanied by invoice showing the total cost and website address.

## ADVERTISING CLAIM FORM

918 Freeburg Avenue  
 Belleville, Illinois 62222-0529  
 618-233-7420 or 1-800-851-3153

**Please fill out this form and submit to Empire Comfort Systems, Inc. with a copy of your claim's tear sheet and invoice. For promotional items, please include sample or photo of item or promotional event. Thank you.**

Advertising claims are credited 50% of total amount on invoice, up to what you have accumulated in co-op dollars.

Company Name and Address: \_\_\_\_\_  
 \_\_\_\_\_

Person requesting claim reimbursement: \_\_\_\_\_

**Type:** Newspaper \_\_\_\_\_ Radio \_\_\_\_\_ TV \_\_\_\_\_ Other \_\_\_\_\_

DATE OF AD	CLAIM NUMBER	TYPE/ DESCRIPTION	AMOUNT OF CLAIM	% REIMBURSED

**TOTAL AMOUNT :** \_\_\_\_\_

EMPIRE'S SHARE ( \_\_\_\_\_ % of total cost) to be reimbursed: \_\_\_\_\_

\*\*\*\*\*

For Empire Use:

**Approved By/Date:** \_\_\_\_\_ **Credit Memo Number:** \_\_\_\_\_

**Account Number:** \_\_\_\_\_ **Order Number:** \_\_\_\_\_

**Coop Available:** \_\_\_\_\_ **Date:** \_\_\_\_\_

**Debit Memo/Claim Number** \_\_\_\_\_ **Shipped:** \_\_\_\_\_ **Posted:** \_\_\_\_\_

Credit \_\_\_\_\_ Check \_\_\_\_\_ Letter \_\_\_\_\_ Review \_\_\_\_\_

## TERMS

### Terms: 1% 10 Days — Net 30 Days

1½% interest charged on unpaid amounts over 30 days.

**Freight: F.O.B. Belleville, Illinois**

### CONDITIONS OF SALE:

#### ROUTING OF SHIPMENTS

Routing of shipment will be optional with us unless specified on your order.

#### REPAIR PARTS

When ordering repair parts, please state model, serial number, and type of gas of unit for which parts are wanted. If there is any doubt as to the correct name of a part, please submit a sketch or sample.

Repair parts are F.O.B. factory.

#### CLAIMS FOR DEFECTIVE MERCHANDISE

Such claims should be made to us immediately in writing. Parts defective in workmanship or material will be replaced within the terms of the warranty.

#### UNITS DAMAGED IN TRANSIT

The consignee should carefully examine all shipments before accepting them from the transportation company. If shipment is received in a damaged condition, it should be noted on the freight receipt, and consignee should file a claim with the transportation company.

Claims for damages, not discovered until after the merchandise has been accepted from the transportation company, should be submitted to the transportation company promptly with the original freight receipt.

**ALL SHORTAGES MUST BE REPORTED TO EMPIRE WITHIN 48 HOURS.  
EMPIRE IS NOT RESPONSIBLE FOR SHORTAGES REPORTED AFTER THIS TIME.**

#### RETURN OF MERCHANDISE

Returned merchandise will be accepted only on the following conditions:

- Submit a completed Empire RMA Request Form to us providing all information requested. If you do not have RMA Request Forms, please call or fax us for a copy.
- The RMA Request Form will be reviewed. If the return of merchandise is approved, you will receive a Return Merchandise Authorization (RMA) number. Please note that number on the shipping paperwork for the merchandise being returned.
- Merchandise returned without permission will not be accepted.
- Units returned, for reasons other than defective operation, workmanship, or material will be subject to a 15% restocking charge. Freight to be prepaid by the shipper. Returned items must be in original carton and in original condition.

**NOTE:** All orders are accepted subject to our ability to ship, due to government restrictions, shortages, or any other causes beyond our control. Specifications are subject to change prior to shipment. Prices subject to change prior to shipment. Customer has the right to cancel order within 15 days from notification of price increase.



Empire Comfort Systems, Inc. • 918 Freeburg Ave. • Belleville, IL 62220-2623  
1-618-233-7420 • 1-800-851-3153 • Fax 1- 618-233-7097 • 1-800-443-8648  
Web Site: [www.empirecomfort.com](http://www.empirecomfort.com) • E-Mail: [info@empirecomfort.com](mailto:info@empirecomfort.com)



©2003 Empire Comfort Systems, Inc.